



High Power Series

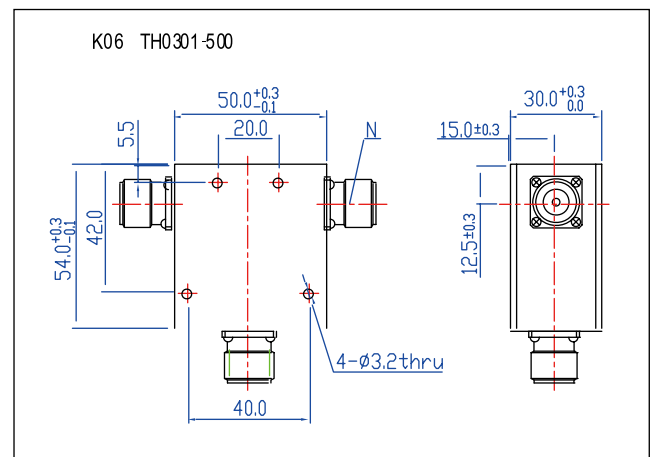
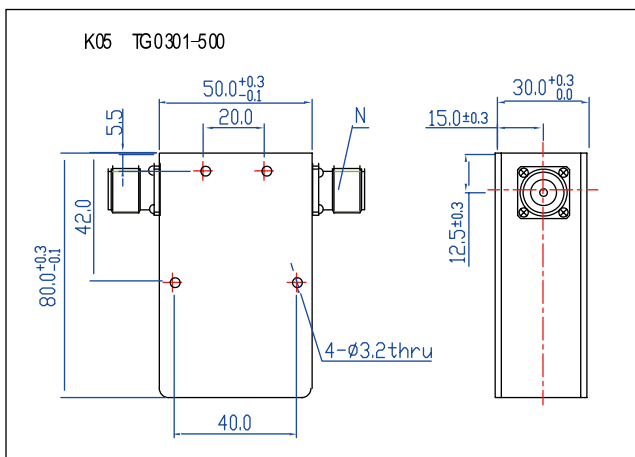
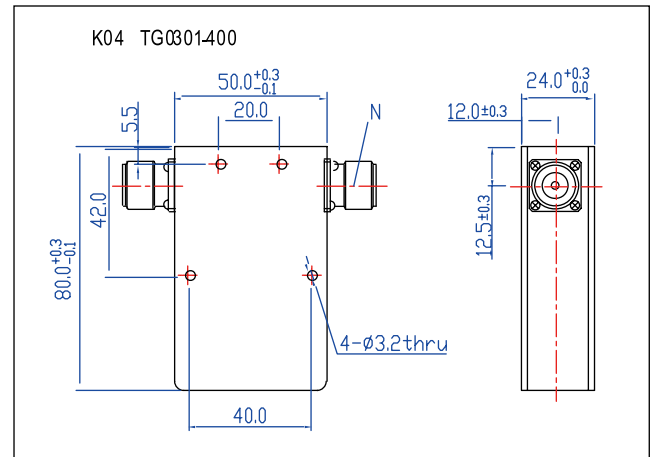
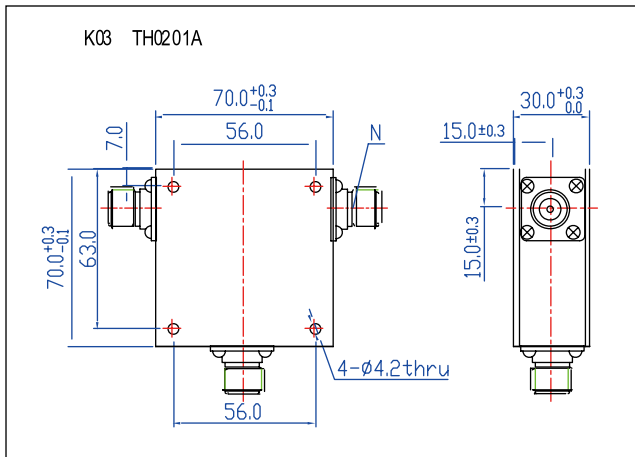
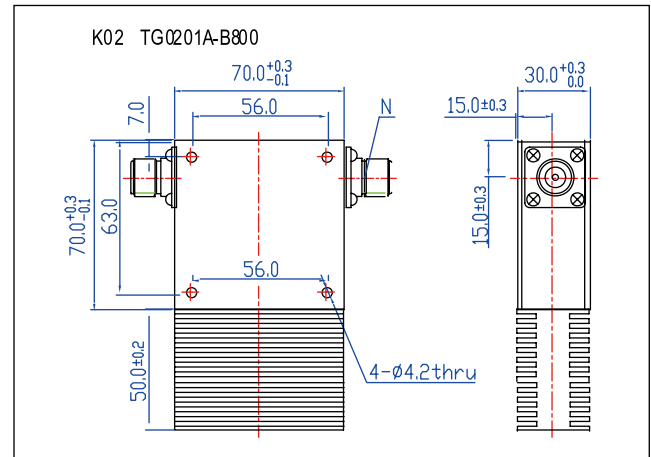
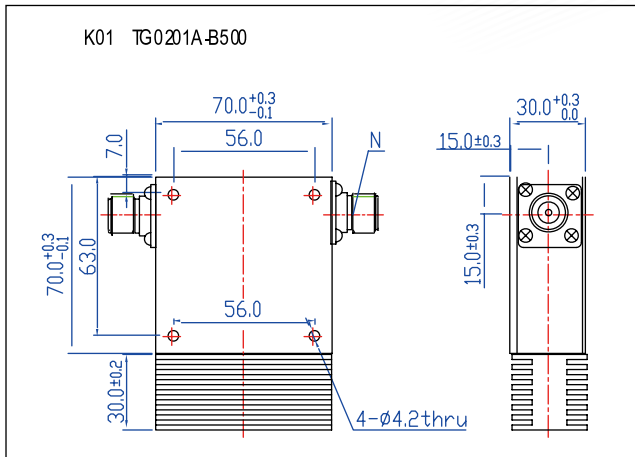
同轴大功率系列

Outline Drawing 外形图	Part Number 产品型号	Frequency Range (GHz) 适用频率	Insertion Loss (dB Max) 正向损耗	Isolation (dB Min) 反向隔离	VSWR (Max) 驻波系数	Operating Temperature (C) 工作温度	Peak Power (W) 峰值功率	Duty Cycle 占空比	Load Power (W) 负载功率	Connector Type 连接方式
K01	TG0201A-B500	0.26-0.30	0.4	20	1.25	-30 ~ +70	1600	30%	500	N
K02	TG0201A-B800	0.26-0.30	0.4	20	1.25	-30 ~ +70	2500	30%	800	N
K03	TH0201A	0.26-0.30	0.4	20	1.25	-30 ~ +70	2500	30%	/	N
K04	TG0301-400	0.32-0.36	0.4	20	1.25	-30 ~ +70	1200	30%	500	N
K05	TG0301-500	0.32-0.36	0.4	20	1.25	-30 ~ +70	1600	30%	500	N
K06	TH0301-500	0.32-0.36	0.4	20	1.25	-30 ~ +70	1600	30%	/	N
K07	TH101-400	2.0-2.2	0.6	18	1.35	-30 ~ +70	1600	30%	/	N
K07	TH101-400	2.2-2.5	0.6	18	1.35	-30 ~ +70	1600	30%	/	N

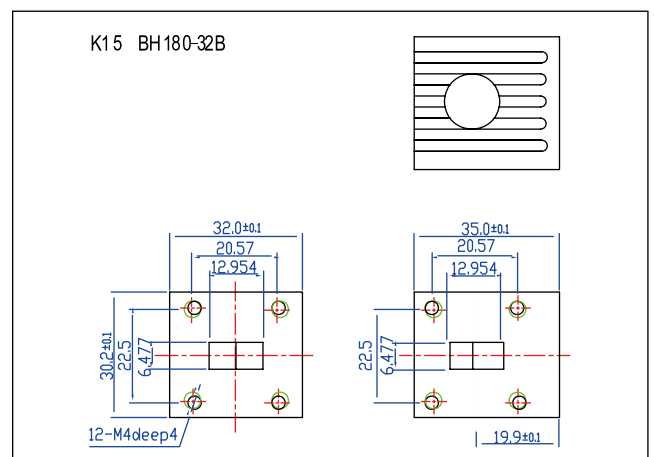
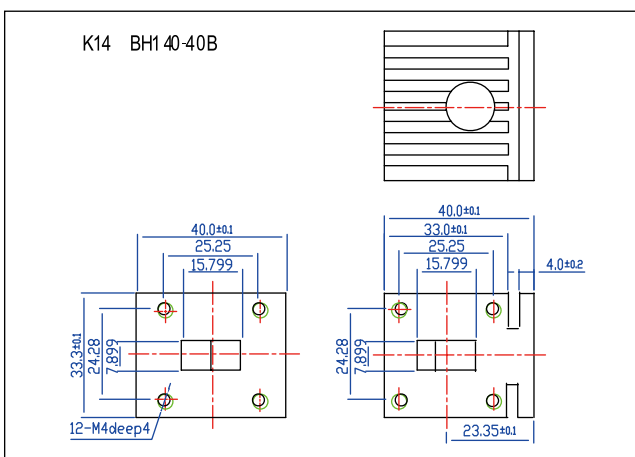
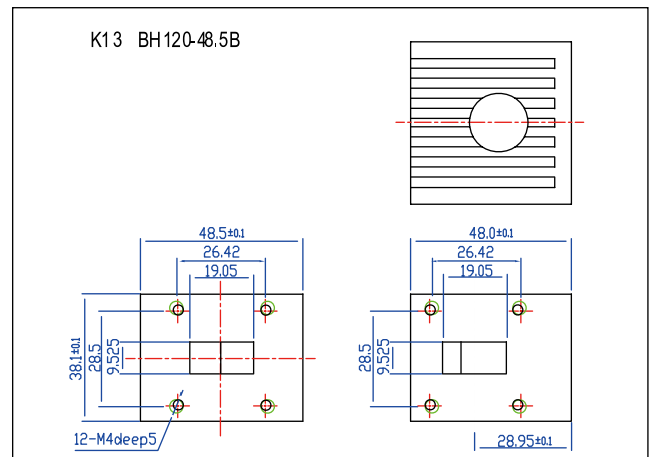
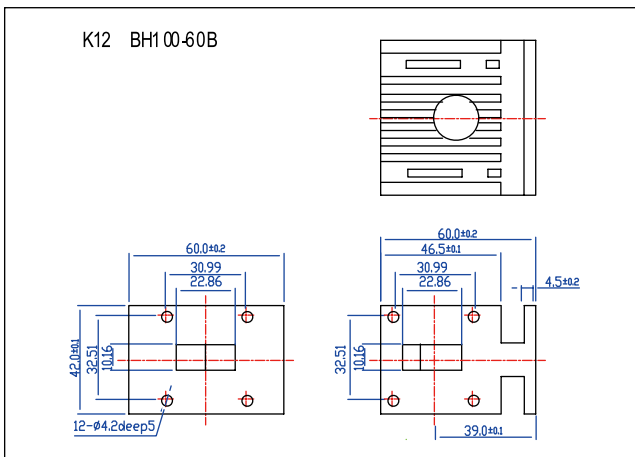
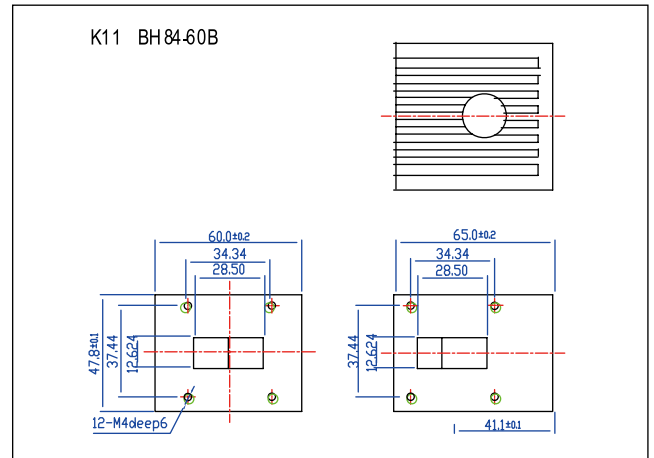
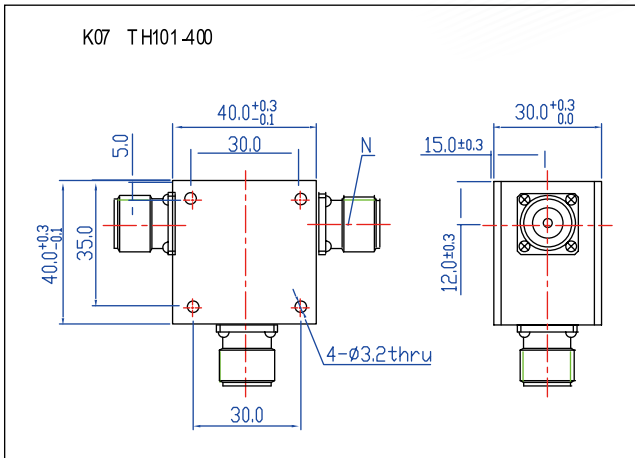
波导大功率系列

Outline Drawing 外形图	Part Number 产品型号	Frequency Range (GHz) 适用频率	Relative Bandwidth 相对带宽	Insertion Loss (dB Max) 正向损耗	Isolation (dB Min) 反向隔离	VSWR (Max) 驻波系数	Operating Temperature (C) 工作温度	Peak Power (W) 峰值功率	Duty Cycle 占空比	Wave guide Type 波导型号
K11	BH84-60B	6.58-10.0	10%	0.3	20	1.2	-40 ~ +85	3500	10%	WR112
K12	BH100-60B	8.20-12.5	10%	0.3	20	1.2	-40 ~ +85	3000	10%	WR90
K13	BH120-48.5B	9.48-15.0	8%	0.3	20	1.2	-40 ~ +85	1000	10%	WR75
K14	BH140-40B	11.9-18.0	6%	0.3	20	1.2	-40 ~ +85	1000	10%	WR62
K15	BH180-32B	14.5-22.0	5%	0.3	20	1.2	-40 ~ +85	1000	10%	WR51
K16	BH220-24B	17.6-26.7	5%	0.3	20	1.2	-40 ~ +85	500	10%	WR42
K17	BH260-22.3B	21.7-33.0	3%	0.3	20	1.2	-40 ~ +85	500	10%	WR34
K18	BH320-25.4B1	26.4-40.1	3%	0.3	20	1.2	-40 ~ +85	500	10%	WR28

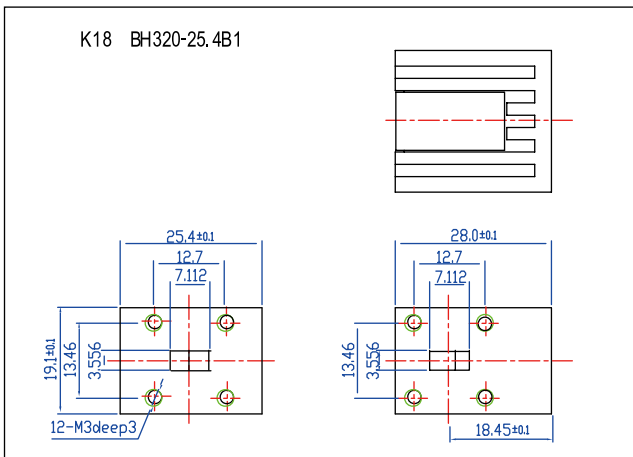
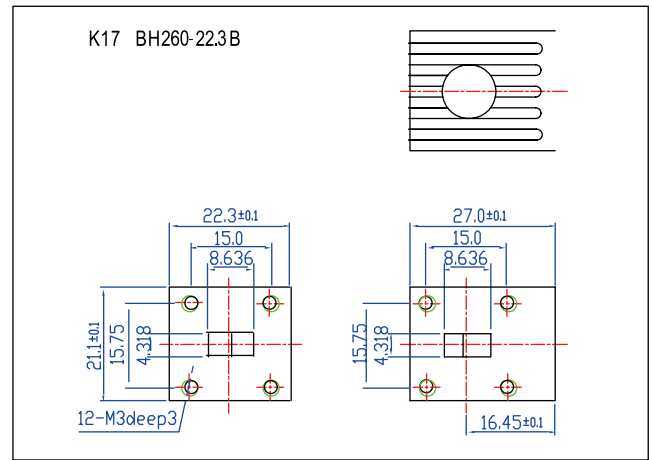
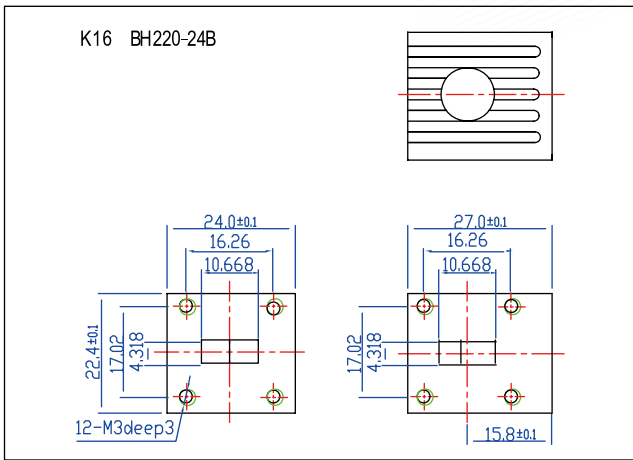
Note All the specifications above are at room temperature(25 C±5 C)



Note All dimensions are in mm



Note All dimensions are in mm



Note: All dimensions are in mm