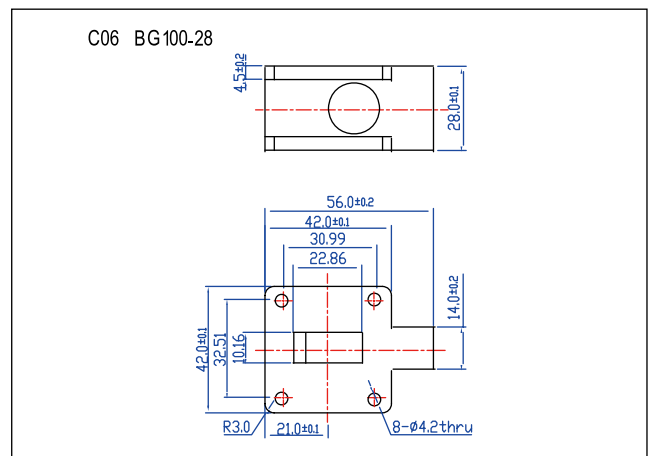
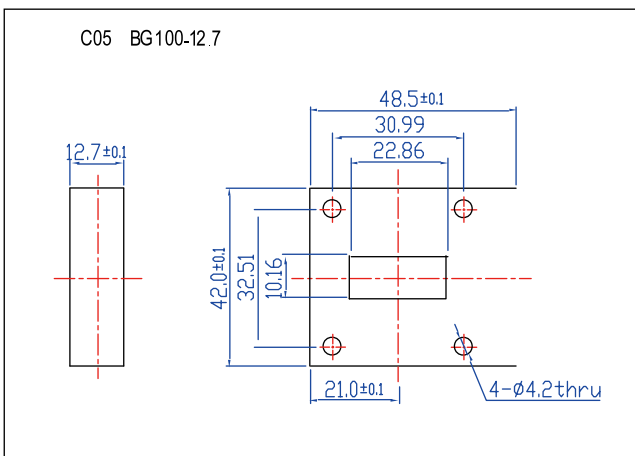
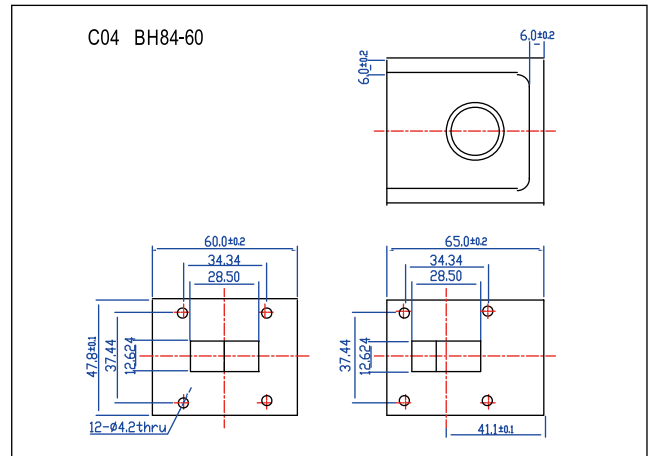
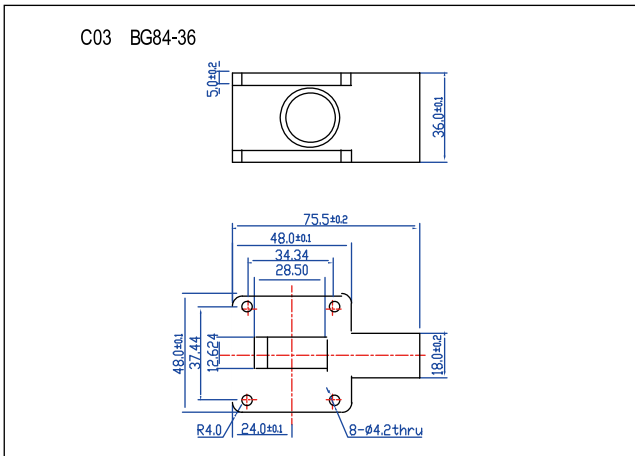
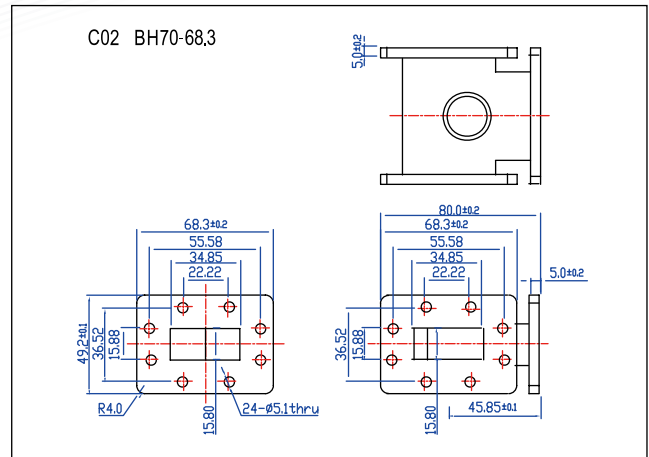
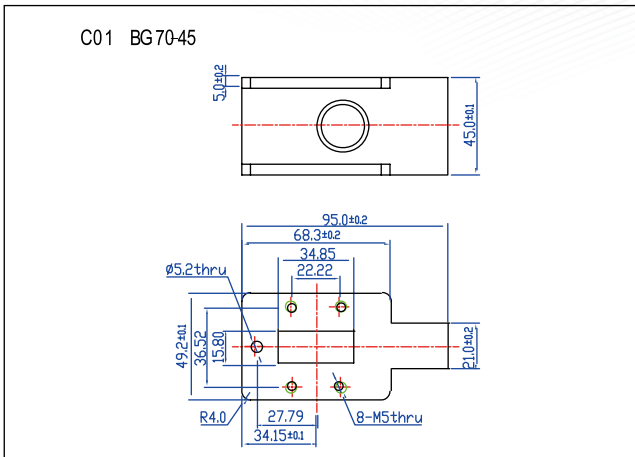




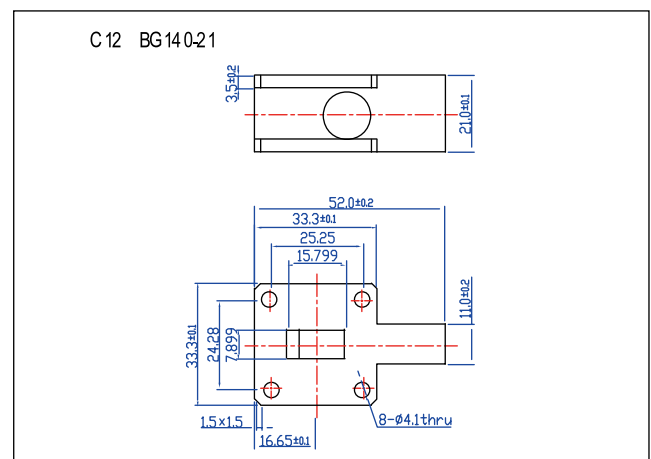
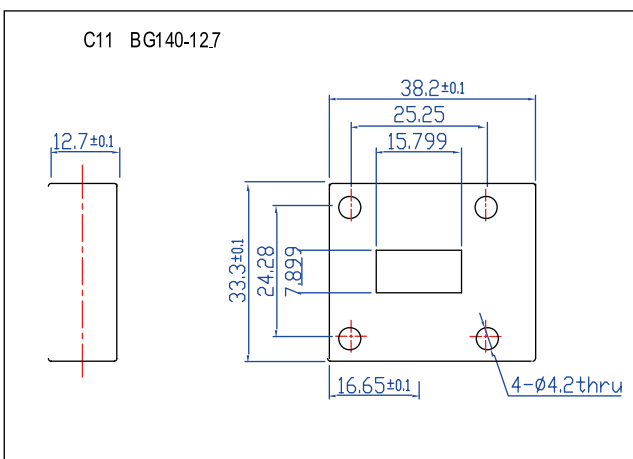
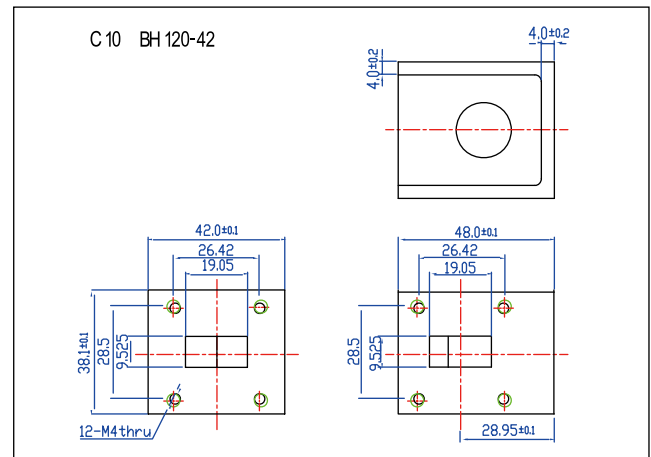
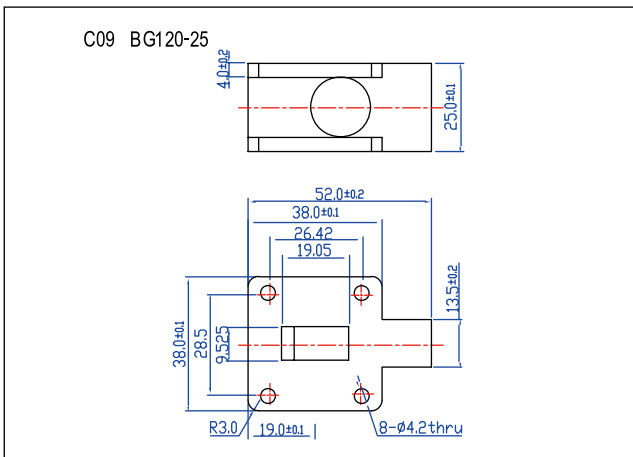
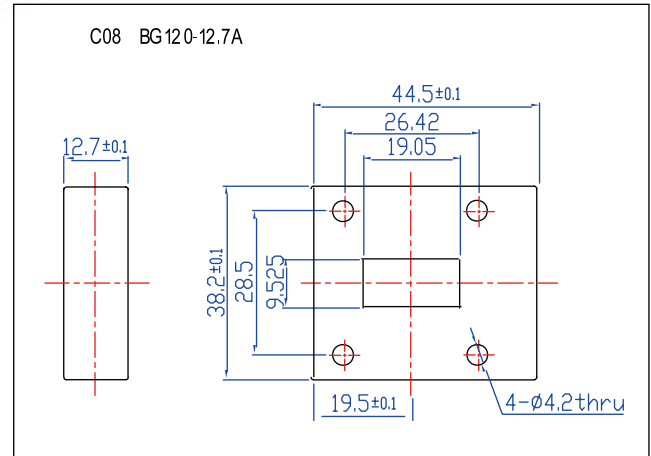
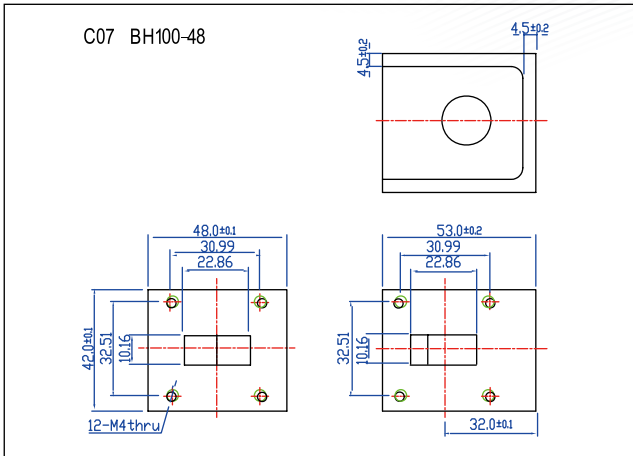
Waveguide Series

| Outline Drawing | Part Number | Frequency Range (GHz) | Relative Bandwidth | Insertion Loss (dB Max) | Isolation (dB Min) | VSWR (Max) | Operating Temperature (°C) | Connector Type |
|-----------------|--------------|-----------------------|--------------------|-------------------------|--------------------|------------|----------------------------|----------------|
| C01 | BG70-45 | 5.38-8.18 | 10% | 0.3 | 23 | 1.2 | -40 ~ +85 | WR137 |
| C02 | BH70-68.3 | 5.38-8.18 | 10% | 0.3 | 23 | 1.2 | -40 ~ +85 | WR137 |
| C03 | BG84-36 | 6.58-10.0 | 10% | 0.3 | 23 | 1.2 | -40 ~ +85 | WR112 |
| C04 | BH84-60 | 6.58-10.0 | 10% | 0.3 | 23 | 1.2 | -40 ~ +85 | WR112 |
| C05 | BG100-12.7 | 8.20-12.5 | 3% | 0.3 | 25 | 1.2 | -40 ~ +85 | WR90 |
| C06 | BG100-28 | 8.20-12.5 | 10% | 0.3 | 23 | 1.2 | -40 ~ +85 | WR90 |
| C07 | BH100-48 | 8.20-12.5 | 10% | 0.3 | 23 | 1.2 | -40 ~ +85 | WR90 |
| C08 | BG120-12.7A | 9.48-15.0 | 5% | 0.3 | 20 | 1.2 | -40 ~ +85 | WR75 |
| C09 | BG120-25 | 9.48-15.0 | 10% | 0.3 | 23 | 1.2 | -40 ~ +85 | WR75 |
| C10 | BH120-42 | 9.48-15.0 | 10% | 0.3 | 23 | 1.2 | -40 ~ +85 | WR75 |
| C11 | BG140-12.7 | 11.9-18.0 | 5% | 0.3 | 23 | 1.2 | -40 ~ +85 | WR62 |
| C12 | BG140-21 | 11.9-18.0 | 10% | 0.3 | 23 | 1.2 | -40 ~ +85 | WR62 |
| C13 | BH140-40 | 11.9-18.0 | 10% | 0.3 | 23 | 1.2 | -40 ~ +85 | WR62 |
| C14 | BG180-15A | 14.5-22.0 | 10% | 0.3 | 20 | 1.2 | -40 ~ +85 | WR51 |
| C15 | BH180-32 | 14.5-22.0 | 10% | 0.3 | 20 | 1.2 | -40 ~ +85 | WR51 |
| C16 | BG220-9.5 | 17.6-26.7 | 10% | 0.4 | 18 | 1.3 | -40 ~ +85 | WR42 |
| C17 | BG220-12.7 | 17.6-26.7 | 10% | 0.4 | 20 | 1.2 | -40 ~ +85 | WR42 |
| C18 | BH220-24 | 17.6-26.7 | 10% | 0.4 | 20 | 1.2 | -40 ~ +85 | WR42 |
| C19 | BG260-12.7 | 21.7-33.0 | 8% | 0.4 | 20 | 1.2 | -40 ~ +85 | WR34 |
| C20 | BH260-22.3 | 21.7-33.0 | 8% | 0.4 | 20 | 1.2 | -40 ~ +85 | WR34 |
| C21 | BG320-10 | 26.4-40.1 | 5% | 0.4 | 20 | 1.25 | -40 ~ +85 | WR28 |
| C22 | BG320-12.7L1 | 26.4-40.1 | 8% | 0.4 | 20 | 1.25 | -40 ~ +85 | WR28 |
| C23 | BH320-10 | 26.4-40.1 | 5% | 0.4 | 20 | 1.25 | -40 ~ +85 | WR28 |
| C24 | BH320-21 | 26.4-40.1 | 5% | 0.4 | 20 | 1.25 | -40 ~ +85 | WR28 |
| C25 | BG400-10 | 33.0-50.1 | 5% | 0.4 | 20 | 1.25 | -40 ~ +85 | WR22 |
| C26 | BH400-19 | 33.0-50.1 | 5% | 0.4 | 20 | 1.25 | -40 ~ +85 | WR22 |
| C27 | BG500-10 | 39.3-59.7 | 4% | 0.4 | 20 | 1.25 | -40 ~ +85 | WR19 |
| C28 | BH500-10 | 39.3-59.7 | 4% | 0.4 | 20 | 1.25 | -40 ~ +85 | WR19 |
| C29 | BG740-19 | 60.5-92.0 | 1% | 0.8 | 18 | 1.3 | -40 ~ +85 | WR12 |
| C30 | BH740-25.4 | 60.5-92.0 | 1% | 0.8 | 18 | 1.3 | -40 ~ +85 | WR12 |
| C31 | BG900-10A | 73.8-112 | 2% | 1.0 | 18 | 1.3 | -40 ~ +85 | WR10 |
| C32 | BH900-10A | 73.8-112 | 2% | 1.0 | 18 | 1.3 | -40 ~ +85 | WR10 |

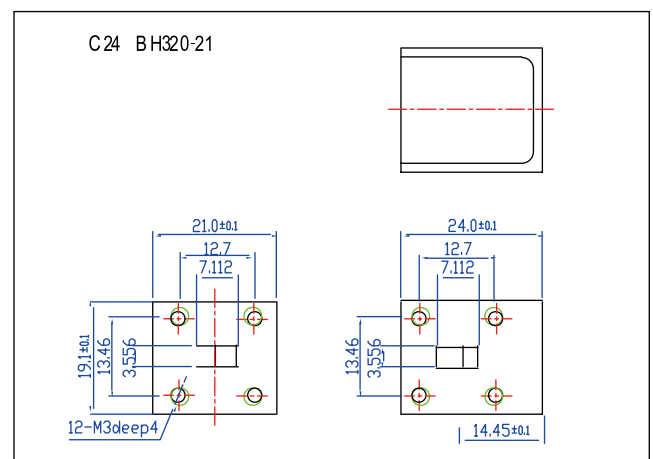
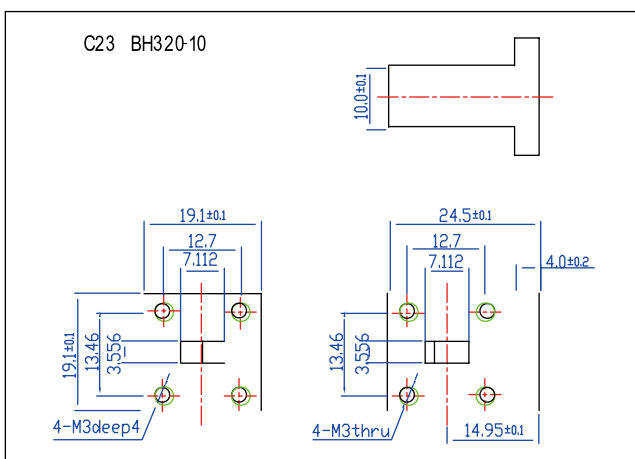
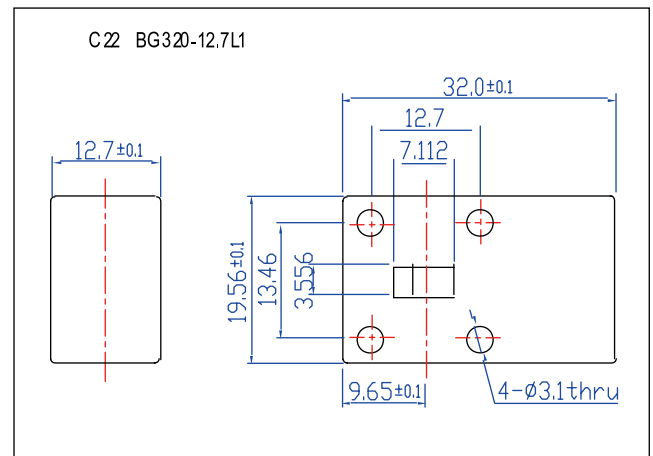
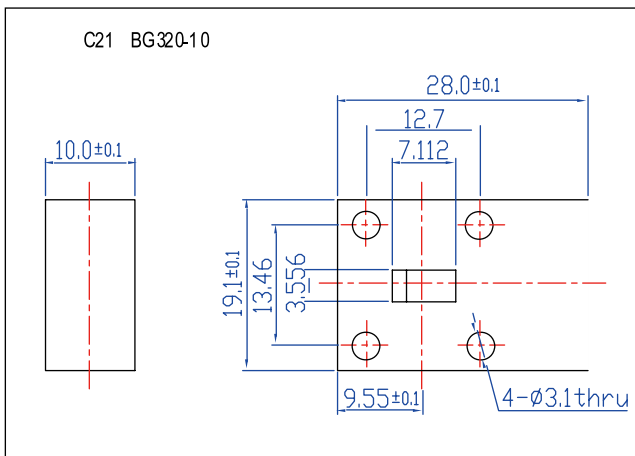
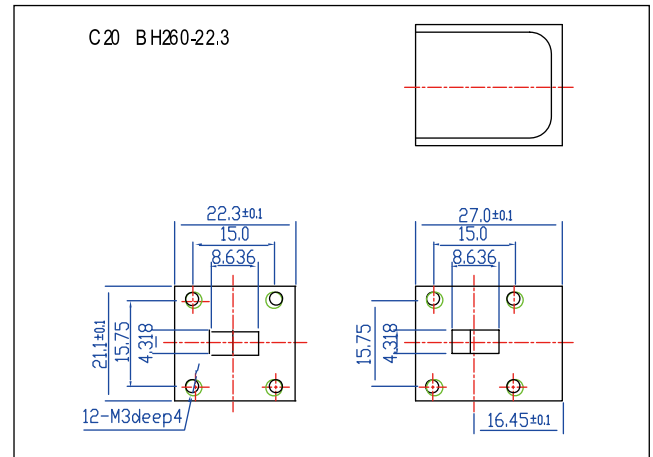
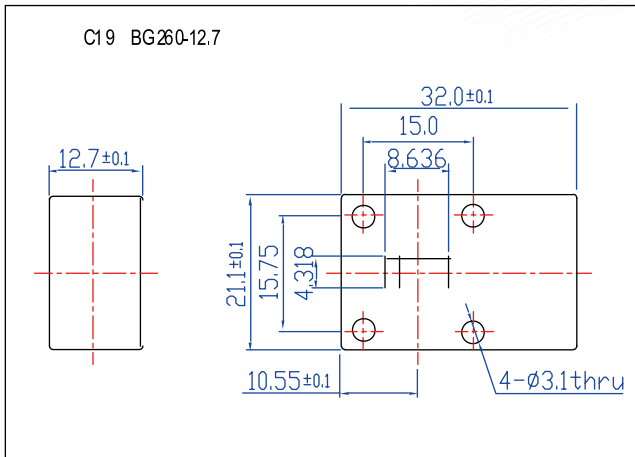
Note: All the specifications above are at room temperature (25 °C±5 °C)



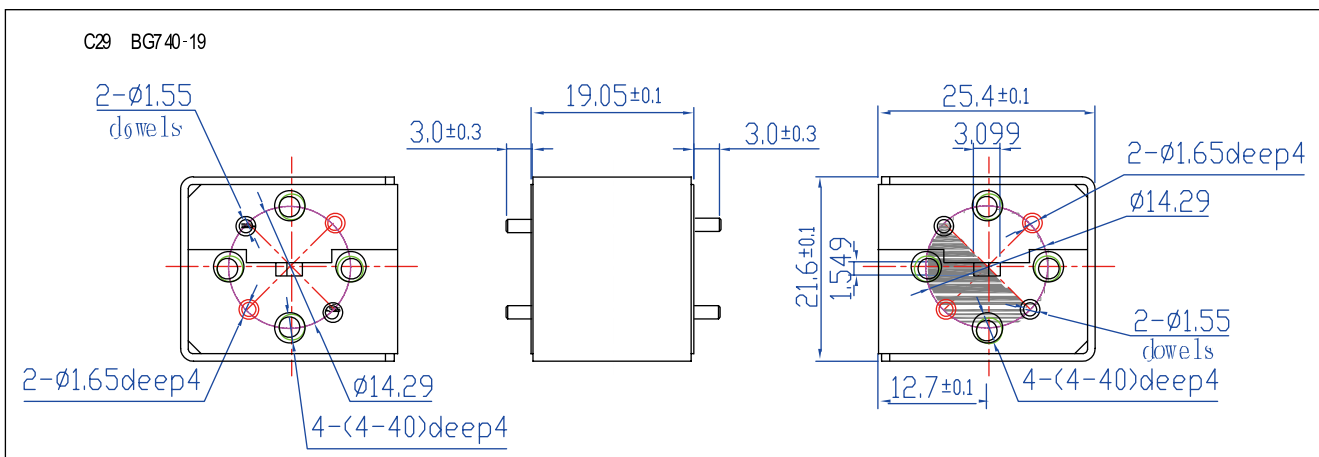
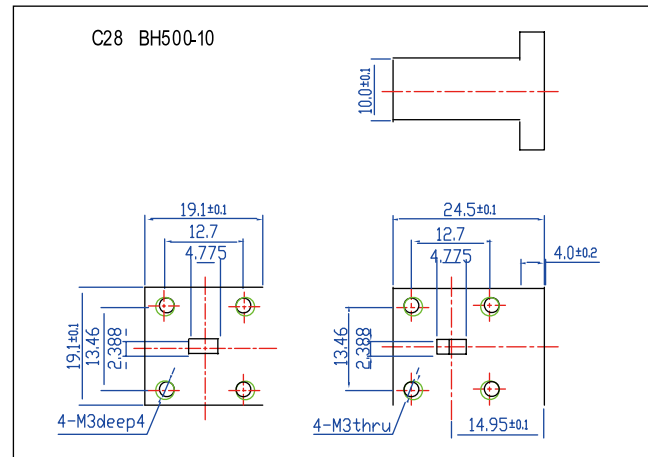
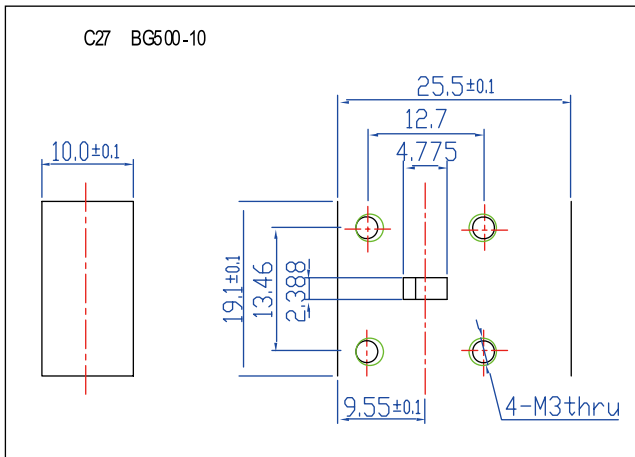
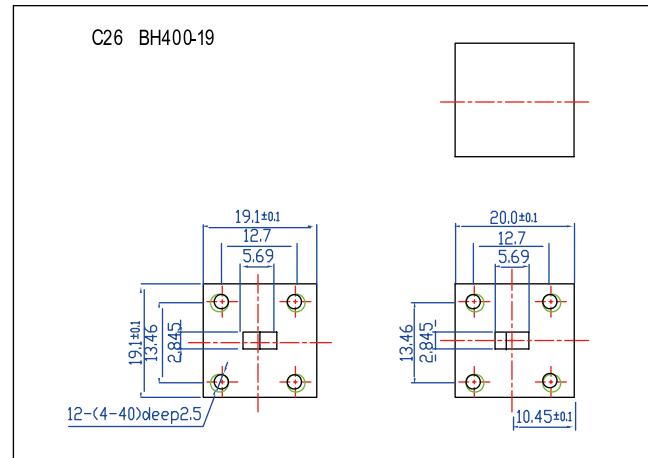
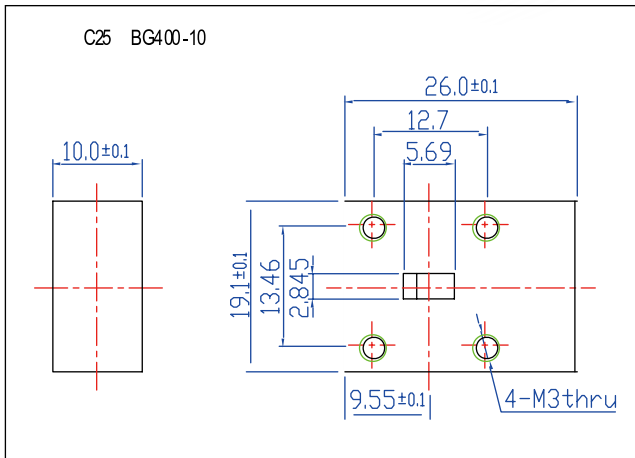
Note All dimensions are in mm



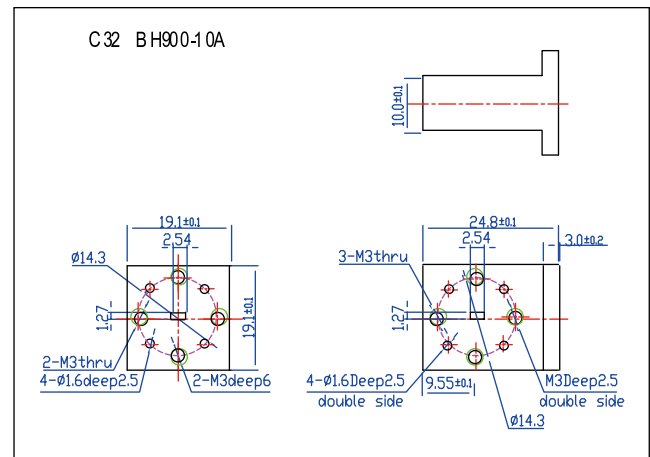
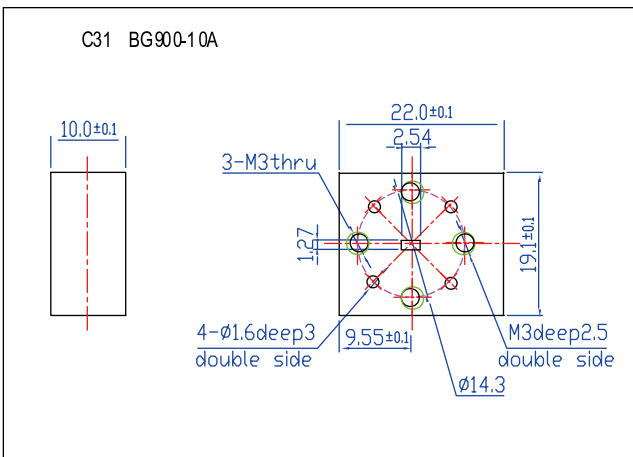
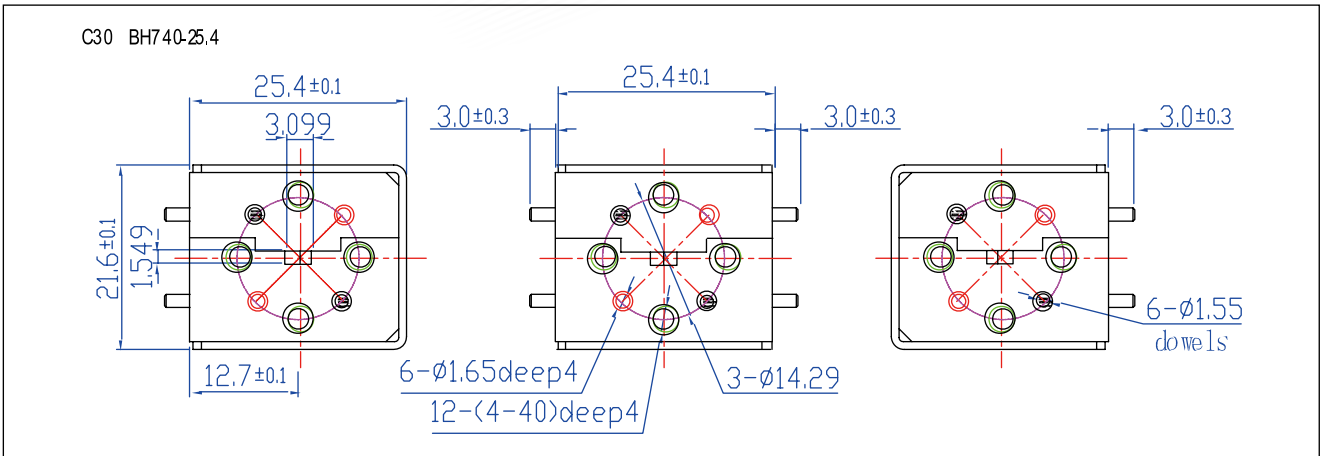
Note: All dimensions are in mm



Note All dimensions are in mm



Note All dimensions are in mm



Note All dimensions are in mm