

Broadband Horn Antenna

OBH-100400

OBH100400 horn antenna operates from 10GHz to 40GHz. The antenna supports linear polarized waveforms.

High gain and low VSWR permit the measurement of weak signals and the generation of high field strengths without any significant return loss.

OBH100400 is calibrated individually in line with ANSI C63.5-2006, making the antennas ideal for EMC/RF measurements.

OBH100400's radiation pattern contains only a single main lobe over the entire frequency range.

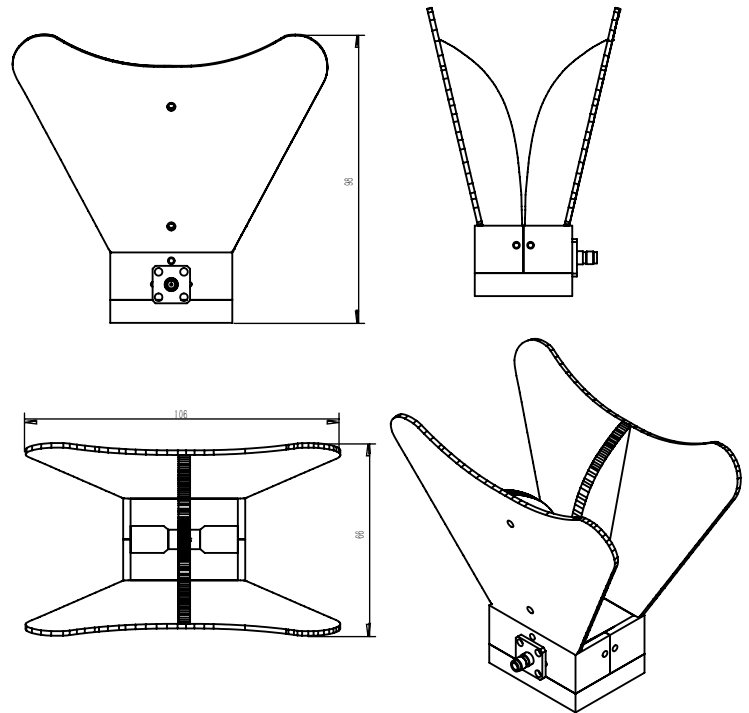
The antennas are low weight and with rugged construction.



Features

- Linear polarized with high polarization purity
- Frequency from 400 MHz to 6 GHz
- Low return loss / VSWR
- Wide bandwidth
- Uniform Gain
- High Power Handling Capability with 200W CW power input
- Radiation pattern contains only one main lobe over the entire frequency range
- Each antenna is calibrated individually in line with ANSI C63.5-2006

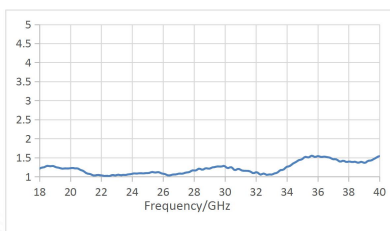
PRODUCT DIMENSIONS



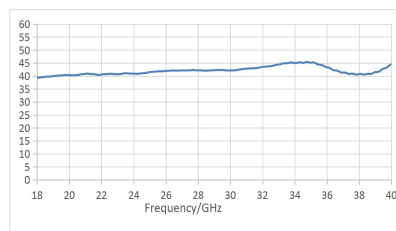
Electrical Specifications

Part Number	OBH- 100400
Type of Antenna	Dual-Ridge Horn
Frequency Range	10-40GHz
Gain	8-13dB
VSWR	<2.7
Polarization	Single Linear
Cross-Polar Discrimination	>45dB
Impedance	50Ohms

VSWR



AF



GAIN

