

Broadband Horn Antenna

OBH-10180

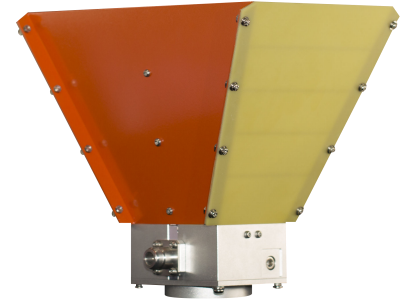
OBH-10180 broadband antenna operate from 1GHz to 18GHz .The antenna supports linear polarized waveforms.

High gain and low VSWR permit the measurement of weak signals and the generation of high field strengths without any significant return loss.

OBH series are calibrated individually in line with ANSI C63.5-2006, making the antennas ideal for EMC/RF measurements.

The OBH series itself apart from conventional broadband horn antennas in that its radiation pattern contains only a single main lobe over the entire frequency range.

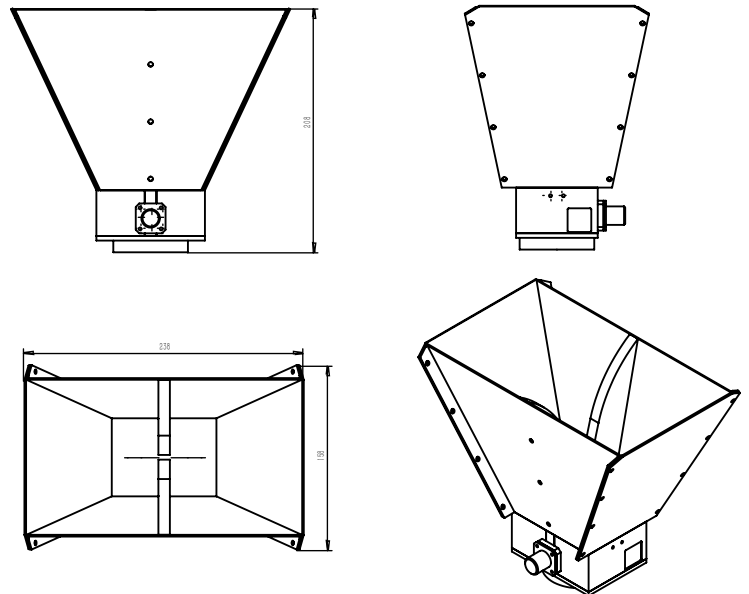
The antennas are low weight and with rugged construction.



Features

- Linear polarized with high polarization purity
- RFrequency from 1 GHz to 18 GHz
- Low return loss / VSWR
- Wide bandwidth
- Uniform Gain
- High Power Handling Capability
- Radiation pattern contains only one main lobe over the entire frequency range
- Each antenna is calibrated individually in line with ANSI C63.5-2006

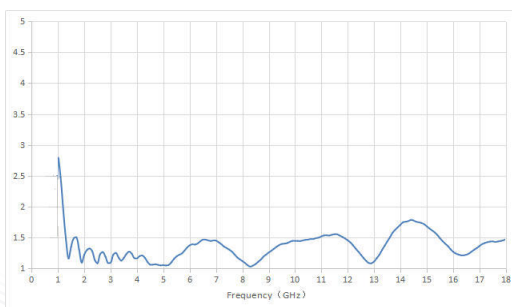
PRODUCT DIMENSIONS



Electrical Specifications

Part Number	OBH- 10180
Type of Antenna	Dual-Ridge Horn
Frequency Range	1-18.0 GHz
Gain	8-13dB
VSWR	<2.7Max.
Polarization	Single Linear
Cross-Polar Discrimination	>25dB
Impedance	50Ohms

VSWR



GAIN

