

# Broadband Horn Antenna

## OBH-08180

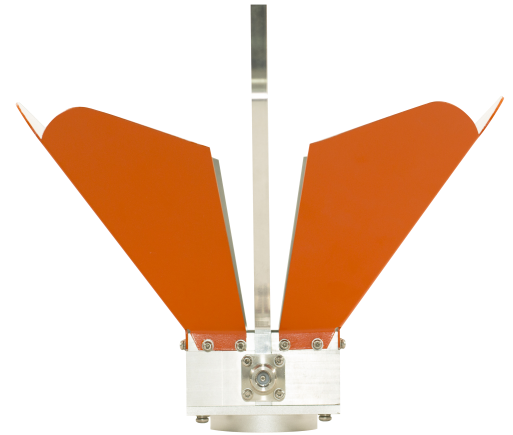
OBH08180 double ridge horn antennas operate from ultra-band from 800MHz to 18GHz The antenna supports linear polarized waveforms.

High gain and low VSWR permit the measurement of weak signals and the generation of high field strengths without any significant return loss.

OBH08180 antenna is calibrated individually in line with ANSI C63.5-2006, making the antennas ideal for EMC/RF measurements.

OBH08180's radiation pattern contains only a single main lobe over the entire frequency range.

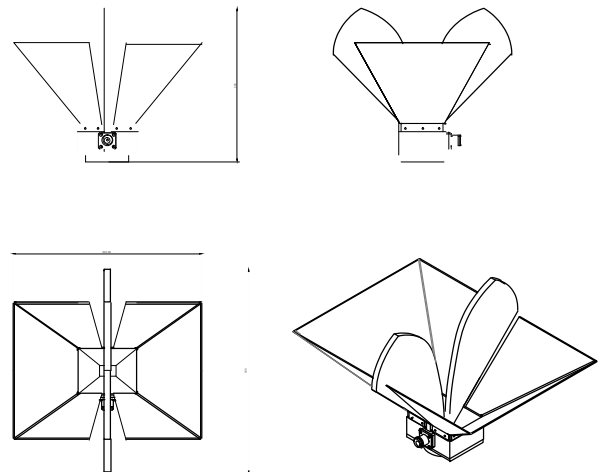
The antennas are low weight and with rugged construction.



### Features

Linear polarized with high polarization purity
RFrequency from 1 GHz to 18 GHz
Low return loss / VSWR
Wide bandwidth
Uniform Gain
High Power Handling Capability
Radiation pattern contains only one main lobe over the entire frequency range
Each antenna is calibrated individually in line with ANSI C63.5-2006

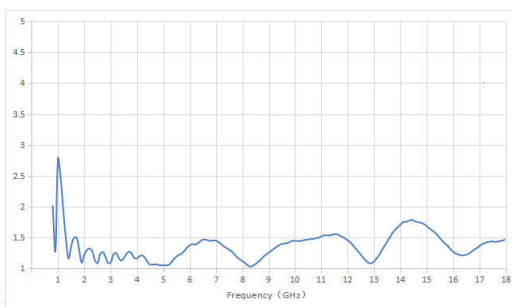
### PRODUCT DIMENSIONS



### Electrical Specifications

Part Number	OBH-08180
Type of Antenna	Dual-Ridge Horn
Frequency Range	0.8-18.0 GHz
Gain	8-13dB
VSWR	<2.7Max.
Polarization	Single Linear
Cross-Polar Discrimination	>45dB
Impedance	50Ohms

### VSWR



### GAIN

