

Broadband Horn Antenna

OBH-460

OBH460 double ridge horn antennas operate broadband from 400MHz to 6GHz .The antenna supports linear polarized waveforms.

This antenna is appropriate to the test of wireless and telecom communication antennas. High gain and low VSWR permit the measurement of weak signals and the generation of high field strengths without any significant return loss.

OBH460 is calibrated individually in line with ANSI C63.5-2006, making the antennas ideal for EMC/RF measurements.

OBH460's radiation pattern contains only one single main lobe over the entire frequency range without any other side lobes.

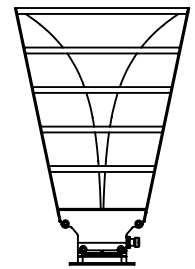
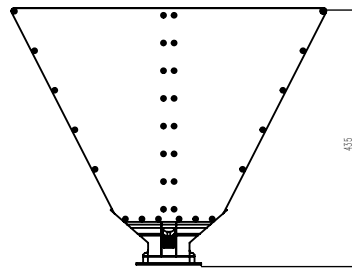
The antenna is low weight within 4.1kg and has rugged construction.



Features

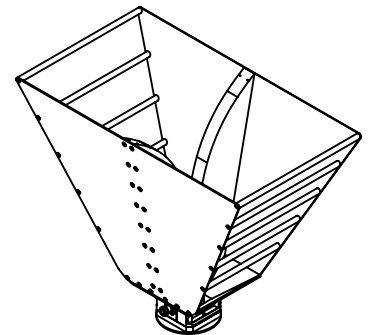
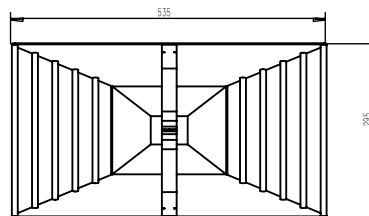
Linear polarized with high polarization purity
RFrequency from 400 MHz to 6 GHz
Low return loss / VSWR
Wide bandwidth
Uniform Gain
High Power Handling Capability
Radiation pattern contains only one main lobe over the entire frequency range
Each antenna is calibrated individually in line with ANSI C63.5-2006

PRODUCT DIMENSIONS

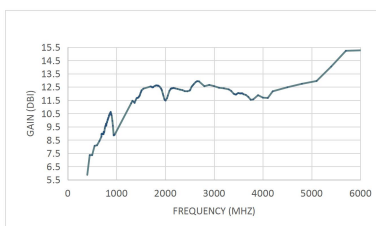


Electrical Specifications

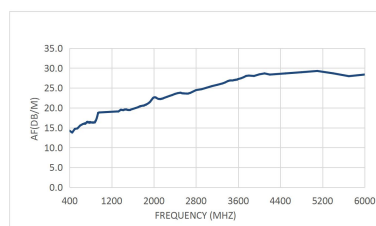
Part Number	OBH-460
Type of Antenna	Dual-Ridge Horn
Frequency Range	0.4-6.0GHz
Gain	6-15dB
VSWR	<2.0
Polarization	Single Linear
Cross-Polar Discrimination	>45dB
Impedance	50Ohms



GAIN



AF



VSWR

