

# Standard Horn Antenna

## OLB-770-15

Standard gain horn antenna OLB-770-15 WR-770 is also known as a waveguide horn.

This WR-770 standard gain horn antenna has a 15 dB nominal gain and a square cover flange. Our 15 dB WR-770 horn antenna has a minimum frequency of 0.96 GHz and a maximum frequency of 1.45 GHz.

Standard gain horn waveguide antenna OLB-770-15 has a vertical beam width of 31.3 and horizontal of 32.1 degrees at 3 dB.



### Features

- \_\_\_\_\_ Precisely Machined and Gold Plated
- \_\_\_\_\_ Low VSWR
- \_\_\_\_\_ Light Weight
- \_\_\_\_\_ Linear Polarization
- \_\_\_\_\_ Low Return Loss
- \_\_\_\_\_ Rectangular Waveguide Interface
- \_\_\_\_\_ Lower sidelobes and symmetrical radiation patterns

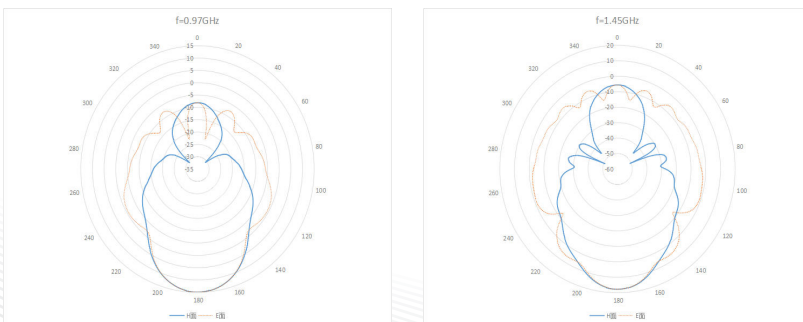
### Applications

- \_\_\_\_\_ Antenna Ranges
- \_\_\_\_\_ Antenna Gain Measurements System Setups
- \_\_\_\_\_ Array Elements

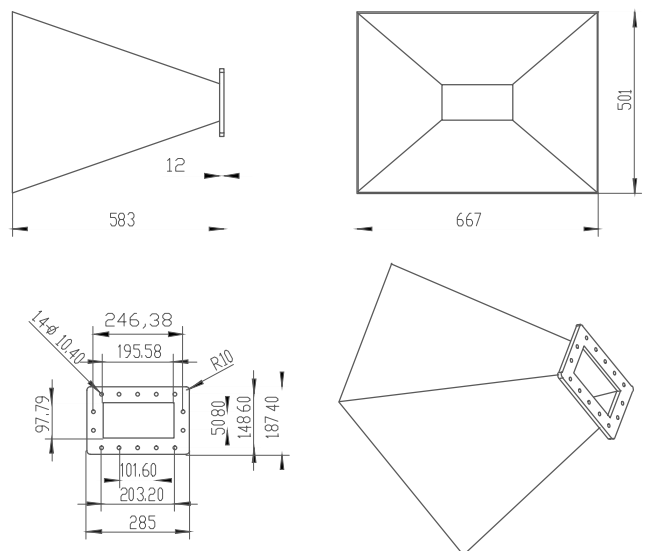
### Electrical Specifications

Frequency Range(GHz)	0.96-1.45
Gain(dB)	15 Typ.
3dB Beam Width	H 30° / V 30°
Waveguide	WR770
Material	Al
Output	FDP12 N-F or SMA-F or 7/16-F
Size(mm) W x H x L	667x501x583 667x501x749
Net Weight(Kg)	8.5 Around 11.5 Around

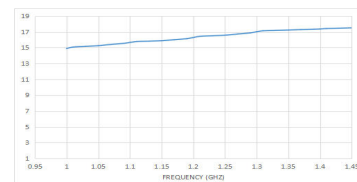
### PATTERN



### PRODUCT DIMENSIONS



### GAIN



### VSWR

