

Standard Horn Antenna

OLB-340-20

Standard gain horn antenna OLB-340-20 WR-340 is also known as a waveguide horn.

This WR-340 standard gain horn antenna has a 20 dB nominal gain and a square cover flange. Our 20 dB WR-340 horn antenna has a minimum frequency of 2.20 GHz and a maximum frequency of 3.30 GHz.

Standard gain horn waveguide antenna OLB-340-20 has a vertical beam width of 18.3 and horizontal of 16.7 degrees at 3 dB.



Features

Precisely Machined and Gold Plated

Low VSWR

Light Weight

Linear Polarization

Low Return Loss

Rectangular Waveguide Interface

Lower sidelobes and symmetrical radiation patterns

Applications

Antenna Ranges

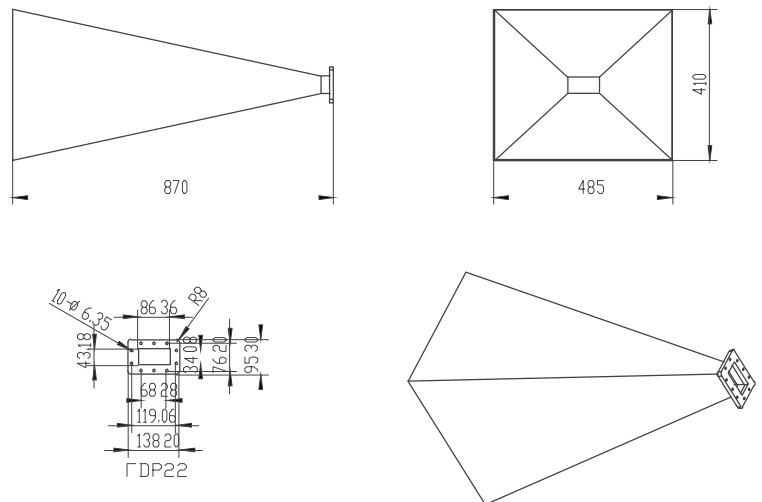
Antenna Gain Measurements System Setups

Array Elements

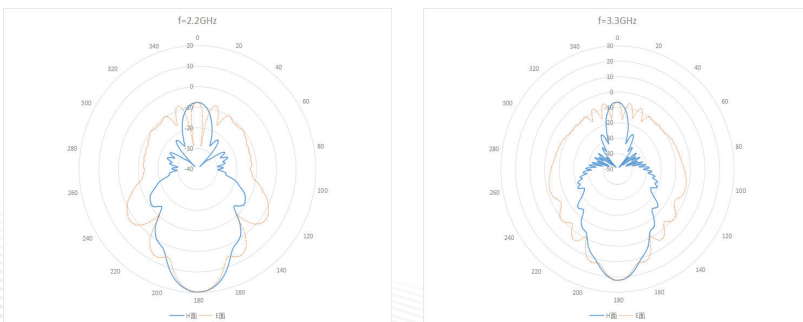
Electrical Specifications

Frequency Range(GHz)	2.20-3.30
Gain(dB)	20 Typ.
3dB Beam Width	H 18° / V 18°
Waveguide	WR340
Material	Al
Output	FDP26 N-F or SMA-F or 7/16-F
Size(mm) W x H x L	485x410x870 485x410x962
Net Weight(Kg)	6.9 Around 7.5 Around

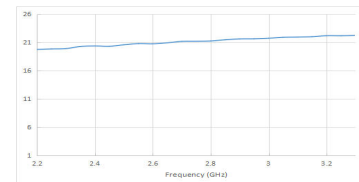
PRODUCT DIMENSIONS



PATTERN



GAIN



VSWR

