

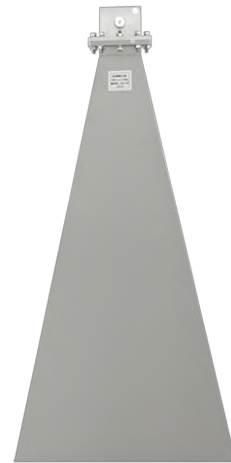
# Standard Horn Antenna

## OLB-284-15

Standard gain horn antenna OLB-284-15 WR-284 is also known as a waveguide horn.

This WR-284 standard gain horn antenna has a 15 dB nominal gain and a square cover flange. Our 15 dB WR-284 horn antenna has a minimum frequency of 2.60 GHz and a maximum frequency of 3.95 GHz.

Standard gain horn waveguide antenna OLB-284-15 has a vertical beam width of 31.3 and horizontal of 32.1 degrees at 3 dB.



### Features

- \_\_\_\_\_ Precisely Machined and Gold Plated
- \_\_\_\_\_ Low VSWR
- \_\_\_\_\_ Light Weight
- \_\_\_\_\_ Linear Polarization
- \_\_\_\_\_ Low Return Loss
- \_\_\_\_\_ Rectangular Waveguide Interface
- \_\_\_\_\_ Lower sidelobes and symmetrical radiation patterns

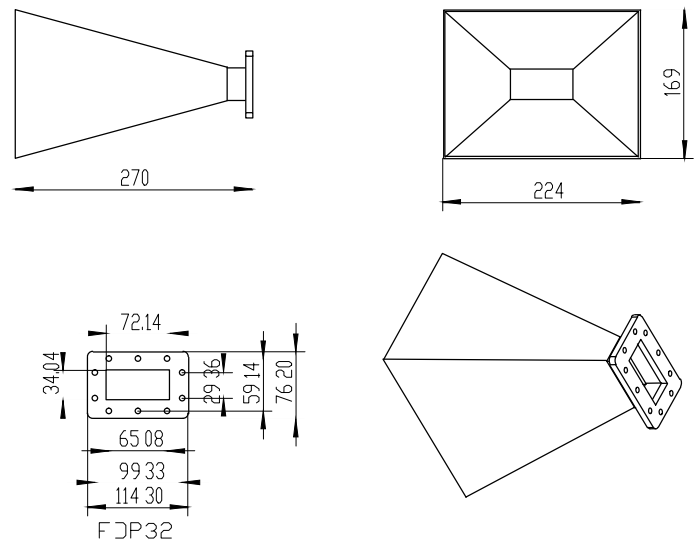
### Applications

- \_\_\_\_\_ Antenna Ranges
- \_\_\_\_\_ Antenna Gain Measurements System Setups
- \_\_\_\_\_ Array Elements

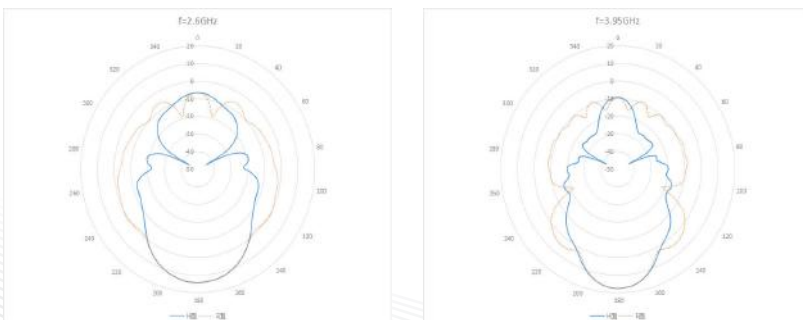
### Electrical Specifications

Frequency Range(GHz)	2.60-3.95
Gain(dB)	15 Typ.
3dB Beam Width	H 30° / V 30°
Waveguide	WR284
Material	Al
Output	FDP32 N-F or SMA F or 7/16-F
Size(mm) W x H x L	224x169x270 224x169x349
Net Weight(Kg)	0.9 Around 1.3 Around

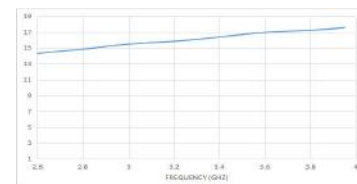
### PRODUCT DIMENSIONS



### PATTERN



### GAIN



### VSWR

