

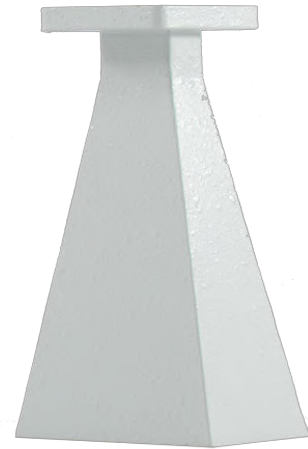
# Standard Horn Antenna

## OLB-159-15

Standard gain horn antenna OLB-159-15 WR-159 is also known as a waveguide horn.

This WR-159 standard gain horn antenna has a 15 dB nominal gain and a square cover flange. Our 15 dB WR-159 horn antenna has a minimum frequency of 4.9 GHz and a maximum frequency of 7.05 GHz.

Standard gain horn waveguide antenna OLB-159-15 has a vertical beam width of 31.3 and horizontal of 32.1 degrees at 3 dB.



### Features

- \_\_\_\_\_ Precisely Machined and Gold Plated
- \_\_\_\_\_ Low VSWR
- \_\_\_\_\_ Light Weight
- \_\_\_\_\_ Linear Polarization
- \_\_\_\_\_ Low Return Loss
- \_\_\_\_\_ Rectangular Waveguide Interface
- \_\_\_\_\_ Lower sidelobes and symmetrical radiation patterns

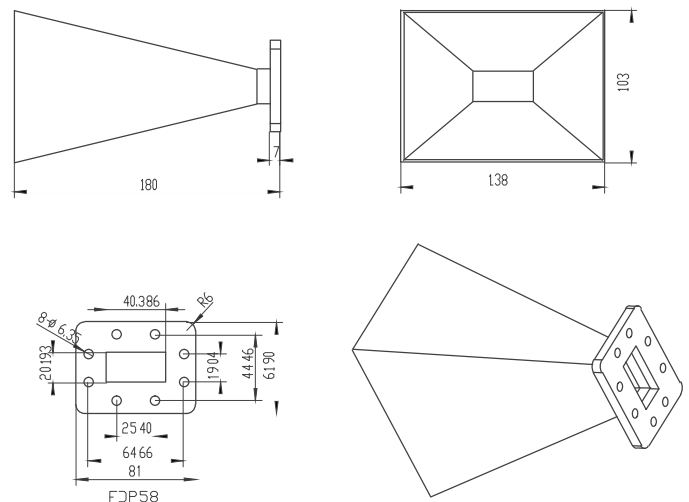
### Applications

- \_\_\_\_\_ Antenna Ranges
- \_\_\_\_\_ Antenna Gain Measurements System Setups
- \_\_\_\_\_ Array Elements

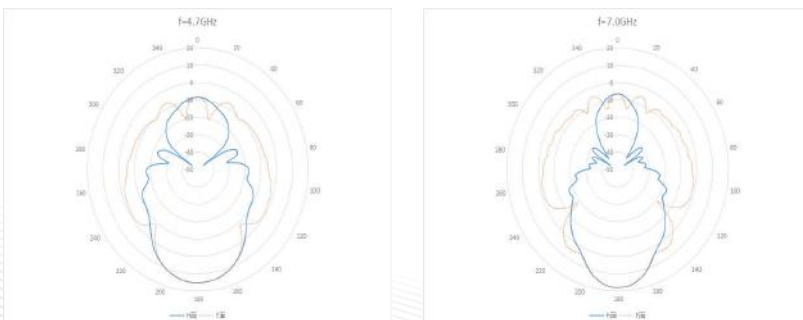
### Electrical Specifications

Frequency Range(GHz)	4.90-7.05
Gain(dB)	15 Typ .
3dB Beam Width	H 30° / V 30°
Waveguide	WR159
Material	Al
Output	FDP58 SMA F
Size(mm) W x H x L	138x103x180 138x103x230
Net Weight(Kg)	0.3 Around 0.5 Around

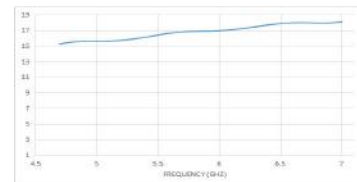
### PRODUCT DIMENSIONS



### RADIATION PATTERN



### GAIN



### VSWR

