

Standard Horn Antenna

OLB-137-15

Standard gain horn antenna OLB-137-15 WR-137 is also known as a waveguide horn.

This WR-137 standard gain horn antenna has a 15 dB nominal gain and a square cover flange. Our 15 dB WR-137 horn antenna has a minimum frequency of 5.85 GHz and a maximum frequency of 8.20 GHz.

Standard gain horn waveguide antenna OLB-137-15 has a vertical beam width of 31.3 and horizontal of 32.1 degrees at 3 dB.



Features

- _____ Precisely Machined and Gold Plated
- _____ Low VSWR
- _____ Light Weight
- _____ Linear Polarization
- _____ Low Return Loss
- _____ Rectangular Waveguide Interface
- _____ Lower sidelobes and symmetrical radiation patterns

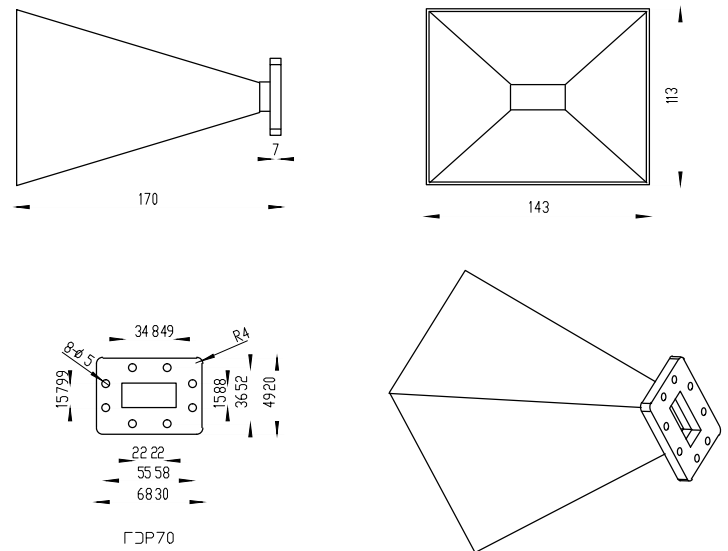
Applications

- _____ Antenna Ranges
- _____ Antenna Gain Measurements System Setups
- _____ Array Elements

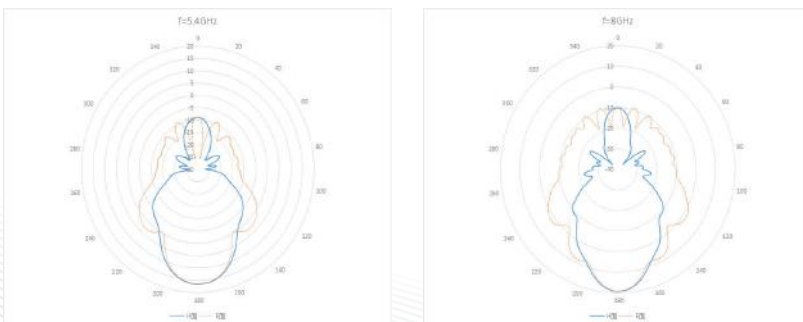
Electrical Specifications

Frequency Range(GHz)	5.85-8.2
Gain(dB)	15 Typ.
3dB Beam Width	H 10° / V 10°
Waveguide	WR137
Material	Al
Output	FBP70 N-F or SMA-F
Size(mm) W x H x L	143x113x170 143x113x218
Net Weight(Kg)	0.3 Around 0.4 Around

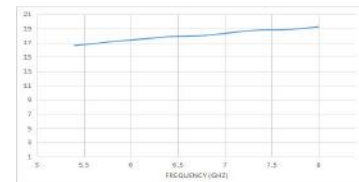
PRODUCT DIMENSIONS



AZIMUTH PATTERN



GAIN



VSWR

