

Standard Horn Antenna

OLB-51-15

Standard gain horn antenna OLB-51-15 WR-51 is also known as a waveguide horn.

This WR-51 standard gain horn antenna has a 15 dB nominal gain and a square cover flange. Our 15 dB WR-51 horn antenna has a minimum frequency of 15.0GHz and a maximum frequency of 22.0GHz.

Standard gain horn waveguide antenna OLB-51-15 has a vertical beam width of 54.4 and horizontal of 54.2 degrees at 3 dB



Features

Precisely Machined and Gold Plated

Low VSWR

Light Weight

Linear Polarization

Low Return Loss

Rectangular Waveguide Interface

Lower sidelobes and symmetrical radiation patterns

Applications

Antenna Ranges

Antenna Gain Measurements

System Setups

Array Elements

Electrical Specifications

Frequency Range(GHz) 15.0 -22.0

Gain(dB) 15 Typ

3dB Beam Width H 10° / V 10°

Waveguide WR51

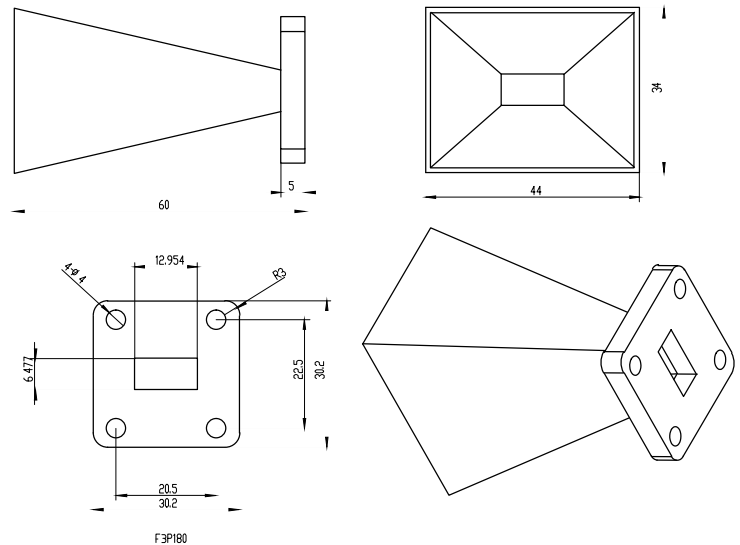
Material Cu

Output FBP180
SMA-F

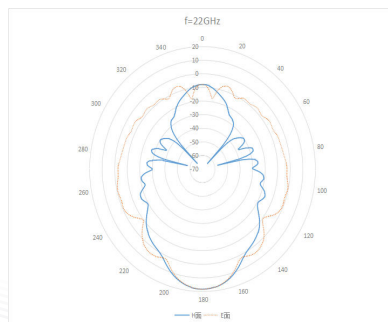
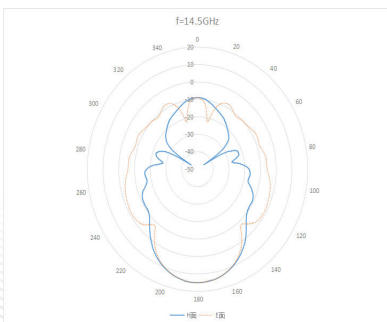
Size(mm) W x H x L
27x18.6x47
27x18.6x74

Net Weight(Kg) 0.06 Around
0.16 Around

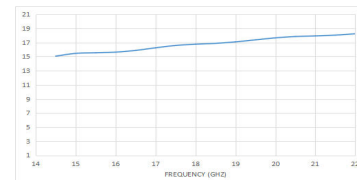
PRODUCT DIMENSIONS



PATTERN



GAIN



VSWR

