

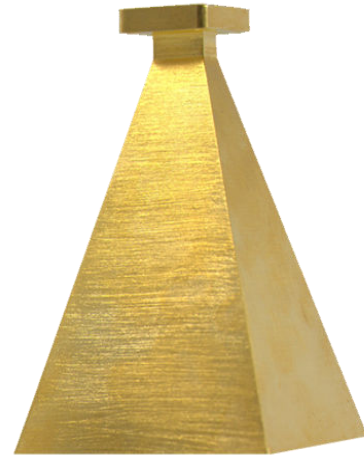
Standard Horn Antenna

OLB-42-20

Standard gain horn antenna OLB-42-20 WR-42 is also known as a waveguide horn.

This WR-42 standard gain horn antenna has a 20 dB nominal gain and a square cover flange. Our 20 dB WR-42 horn antenna has a minimum frequency of 18.0GHz and a maximum frequency of 26.5GHz.

Standard gain horn waveguide antenna OLB-42-20 has a vertical beam width of 18.85 and horizontal of 20.45 degrees at 3 dB



Features

Precisely Machined and Gold Plated

Low VSWR

Light Weight

Linear Polarization

Low Return Loss

Rectangular Waveguide Interface

Lower sidelobes and symmetrical radiation patterns

Applications

Antenna Ranges

Antenna Gain Measurements

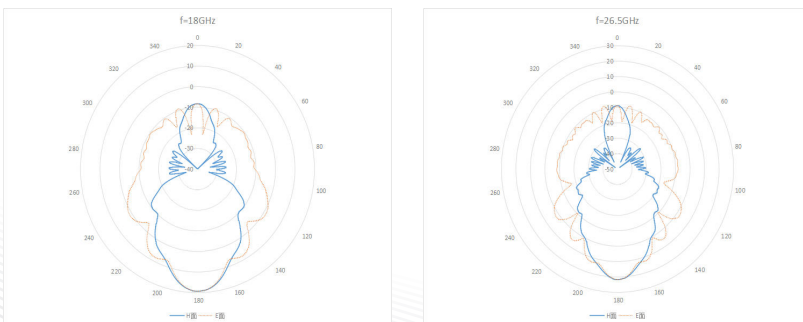
System Setups

Array Elements

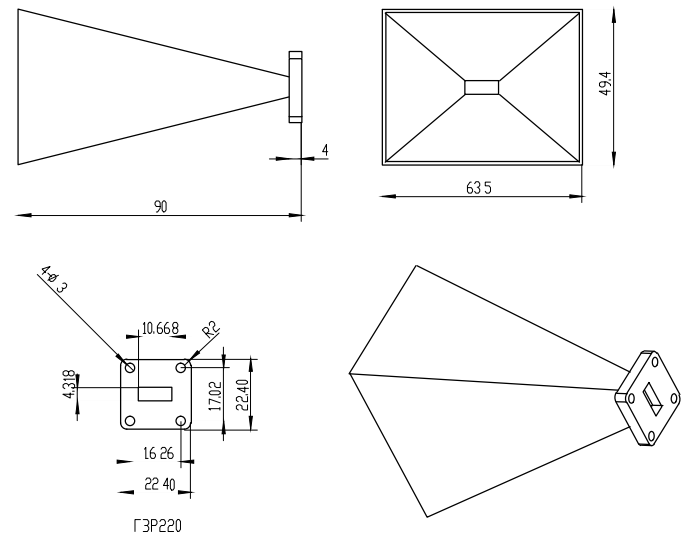
Electrical Specifications

Frequency Range(GHz)	18.0- 26.5
Gain(dB)	20 Typ
3dB Beam Width	H 18° / V 18°
Waveguide	WR42
Material	Cu
Output	FBP220(UBR220) SMA-F/2.92mm-F/3.5mm-F
Size(mm) W x H x L	63.5x49.4x90 63.5x49.4x115
Net Weight(Kg)	0.15 Around 0.20 Around

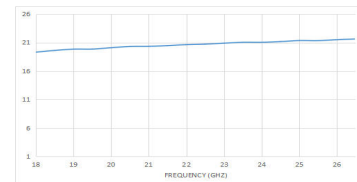
PATTERN



PRODUCT DIMENSIONS



GAIN



VSWR

