

Standard Horn Antenna

OLB-42-15

Standard gain horn antenna OLB-42-15 WR-42 is also known as a waveguide horn.

This WR-42 standard gain horn antenna has a 15dB nominal gain and a square cover flange. Our 15dB WR-42 horn antenna has a minimum frequency of 18.0GHz and a maximum frequency of 26.5GHz.

Standard gain horn waveguide antenna OLB-42-15 has a vertical beam width of 14.35 and horizontal of 17.50 degrees at 3 dB



Features

- _____ Precisely Machined and Gold Plated
- _____ Low VSWR
- _____ Light Weight
- _____ Linear Polarization
- _____ Low Return Loss
- _____ Rectangular Waveguide Interface
- _____ Lower sidelobes and symmetrical radiation patterns

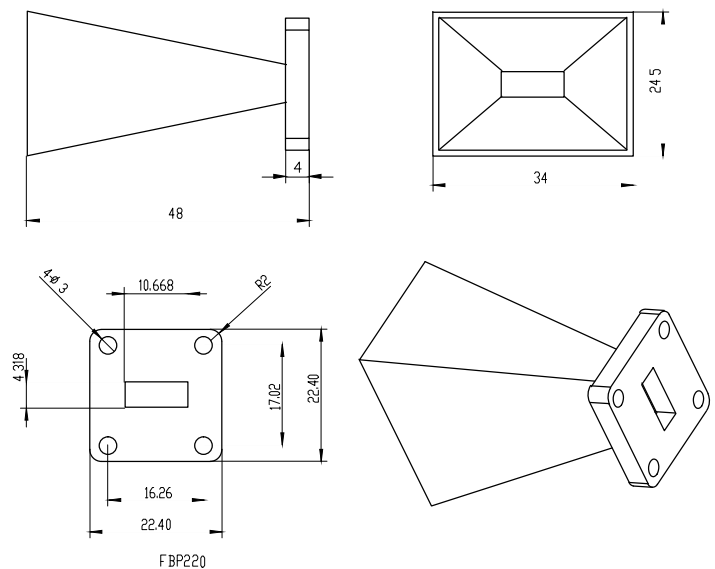
Applications

- _____ Antenna Ranges
- _____ Antenna Gain Measurements
- _____ System Setups
- _____ Array Elements

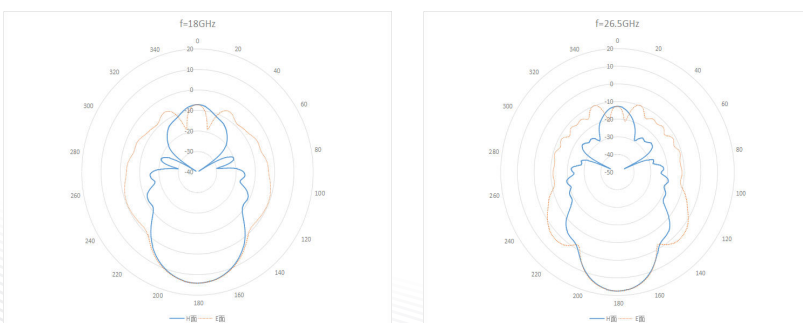
Electrical Specifications

Frequency Range(GHz)	18.0-26.5
Gain(dB)	15 Typ
3dB Beam Width	H 30° / V 30°
Waveguide	WR42
Material	Cu
Output	FBP220(UBR220) SMA-F/2.92mm-F/3.5mm-F
Size(mm) W x H x L	34x24.8x48 34x28.81x73
Net Weight(Kg)	0.10 Around 0.15 Around

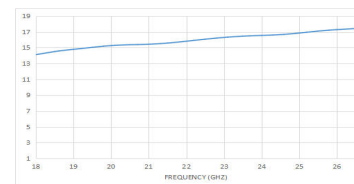
PRODUCT DIMENSIONS



PATTERN



GAIN



VSWR

