

Standard Horn Antenna

OLB-34-25

Standard gain horn antenna OLB-34-25 WR-34 is also known as a waveguide horn.

This WR-34 standard gain horn antenna has a 25dB nominal gain and a square cover flange. Our 25dB WR-34 horn antenna has a minimum frequency of 22.0GHz and a maximum frequency of 33.0GHz.

Standard gain horn waveguide antenna OLB-34-25 has a vertical beam width of 10.2 and horizontal of 10.5 degrees at 3 dB



Features

- _____ Precisely Machined and Gold Plated
- _____ Low VSWR
- _____ Light Weight
- _____ Linear Polarization
- _____ Low Return Loss
- _____ Rectangular Waveguide Interface
- _____ Lower sidelobes and symmetrical radiation patterns

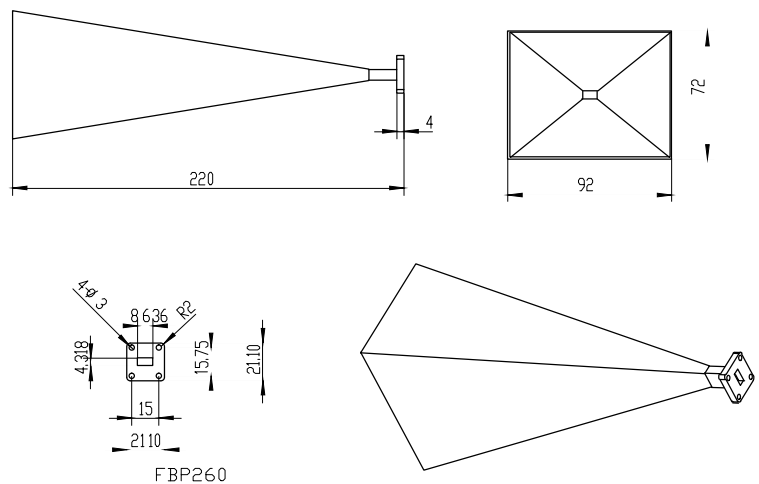
Applications

- _____ Antenna Ranges
- _____ Antenna Gain Measurements
- _____ System Setups
- _____ Array Elements

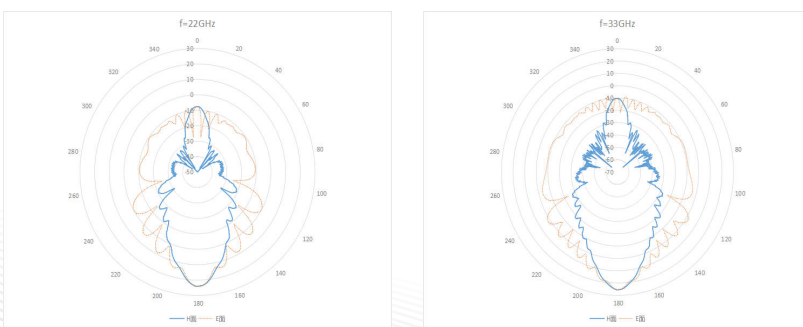
Electrical Specifications

Frequency Range(GHz)	22.0 - 33.0
Gain(dB)	25 Typ
3dB Beam Width	H 10° / V 10°
Waveguide	WR34
Material	Cu
Output	FBP260(UBR260) 2.92mm-F
Size(mm) W x H x L	92x80x220 92 x80x245
Net Weight(Kg)	0.35 Around 0.40Around

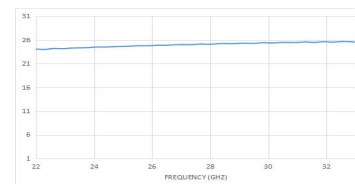
PRODUCT DIMENSIONS



PATTERN



GAIN



VSWR

