

Standard Horn Antenna

OLB-34-20

Standard gain horn antenna OLB-34-20 WR-34 is also known as a waveguide horn.

This WR-34 standard gain horn antenna has a 20dB nominal gain and a square cover flange. Our 20dB WR-34 horn antenna has a minimum frequency of 22.0GHz and a maximum frequency of 33.0GHz.

Standard gain horn waveguide antenna OLB-34-20 has a vertical beam width of 18.3 and horizontal of 16.7 degrees at 3 dB



Features

- Precisely Machined and Gold Plated
- Low VSWR
- Light Weight
- Linear Polarization
- Low Return Loss
- Rectangular Waveguide Interface
- Lower sidelobes and symmetrical radiation patterns

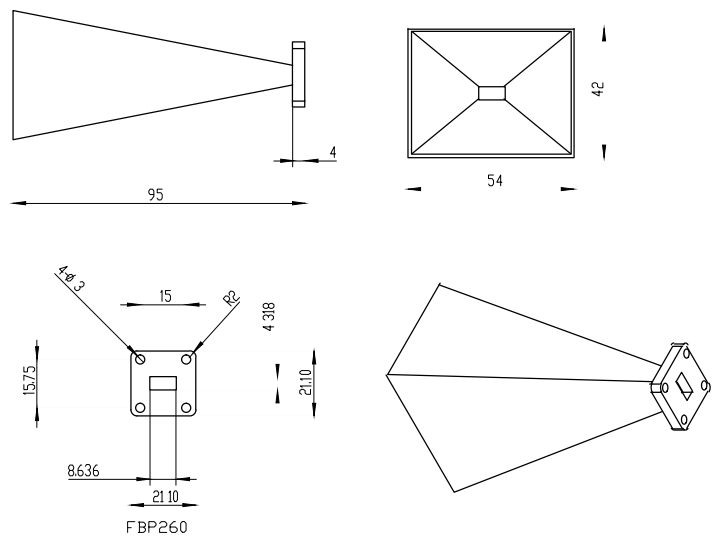
Applications

- Antenna Ranges
- Antenna Gain Measurements
- System Setups
- Array Elements

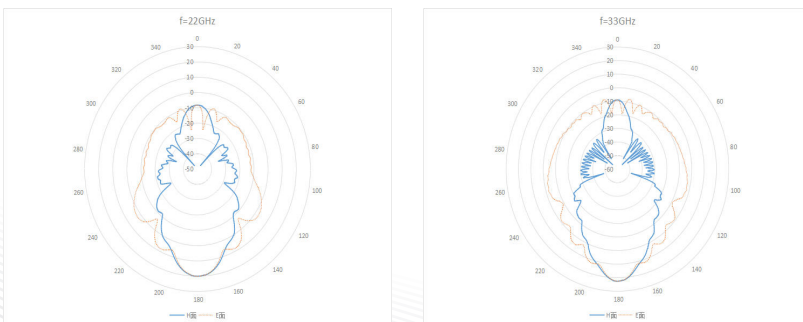
Electrical Specifications

Frequency Range(GHz)	22.0 33.0
Gain(dB)	20 Typ
3dB Beam Width	H 18° / V 18°
Waveguide	WR34
Material	Cu
Output	FBP260(UBR260) 2.92mm-F
Size(mm) W x H x L	54x42x95 54x42x120
Net Weight(Kg)	0.10 Around 0.15 Around

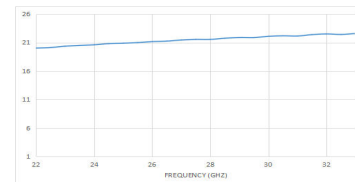
PRODUCT DIMENSIONS



PATTERN



GAIN



VSWR

