

Standard Horn Antenna

OLB-10-25

Standard gain horn antenna OLB-10-25 WR-10 is also known as a waveguide horn.

This WR-10 standard gain horn antenna has a 25 dB nominal gain and a square cover flange. Our 25 dB WR-10 horn antenna has a minimum frequency of 75 GHz and a maximum frequency of 110GHz.



Standard gain horn waveguide antenna OLB-10-25 has a vertical beam width of 10.2 and horizontal of 10.5 degrees at 3 dB.

Features

- _____ Precisely Machined and Gold Plated
- _____ Low VSWR
- _____ Light Weight
- _____ Linear Polarization
- _____ Low Return Loss
- _____ Rectangular Waveguide Interface
- _____ Lower sidelobes and symmetrical radiation patterns

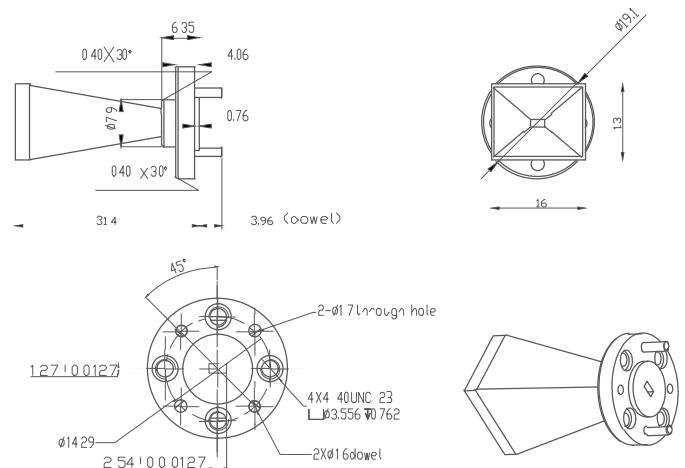
Applications

- _____ Antenna Ranges
- _____ Antenna Gain Measurements System Setups
- _____ Array Elements

Electrical Specifications

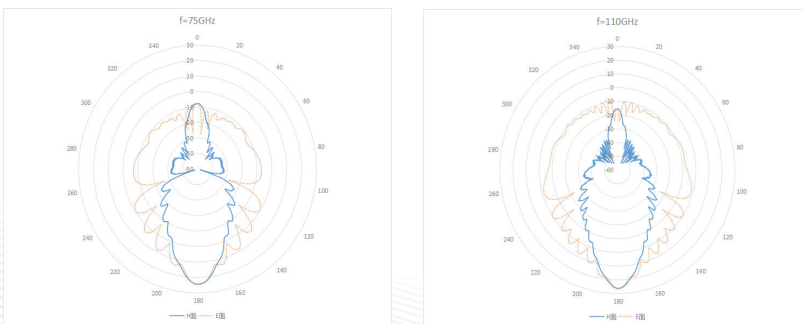
Frequency Range(GHz)	75.0 - 110.0
Gain(dB)	25 Typ.
3dB Beam Width	H 10° / V 10°
Waveguide	WR10
Material	Cu
Output	FUGP900
Size(mm) W x H xL	28x22x70
Net Weight(Kg)	0.05 Around

PRODUCT DIMENSIONS

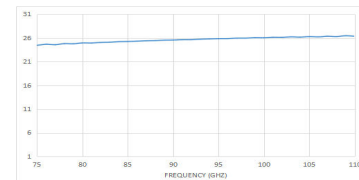


UG387/U-MCFUGP900 SCALF 1 25:1
Circular, four hole fixing/dowel
Unit mm

RADIATION PATTERN



GAIN



VSWR

