

# Standard Horn Antenna

## OLB-28-25

Standard gain horn antenna OLB-28-25 WR-28 is also known as a waveguide horn.

This WR-28 standard gain horn antenna has a 25dB nominal gain and a square cover flange. Our 25 dB WR-28 horn antenna has a minimum frequency of 26.5GHz and a maximum frequency of 40.0GHz.

Standard gain horn waveguide antenna OLB-28-25 has a vertical beam width of 10.2 and horizontal of 10.5 degrees at 3 dB



### Features

Precisely Machined and Gold Plated

Low VSWR

Light Weight

Linear Polarization

Low Return Loss

Rectangular Waveguide Interface

Lower sidelobes and symmetrical radiation patterns

### Applications

Antenna Ranges

Antenna Gain Measurements

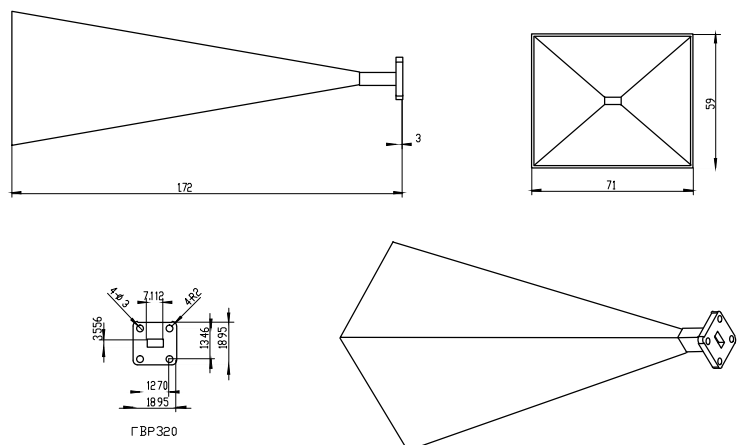
System Setups

Array Elements

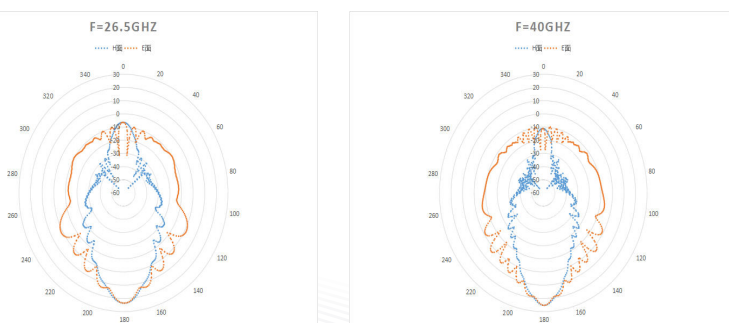
### Electrical Specifications

Frequency Range(GHz)	26.5-40.0
Gain(dB)	25 Typ
3dB Beam Width	H 10° / V 10°
Waveguide	WR28
Material	Cu
Output	FBP320 2.92mm-F or 2.4mm-F
Size(mm) W x H x L	71x59x172 71x59x197
Net Weight(Kg)	0.20 Around 0.25 Around

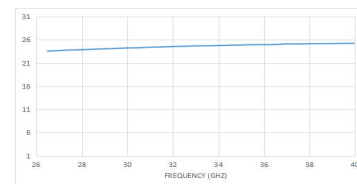
### PRODUCT DIMENSIONS



### AZIMUTH PATTERN



### GAIN



### VSWR

