

Standard Horn Antenna

OLB-28-20

Standard gain horn antenna OLB-28-20 WR-28 is also known as a waveguide horn.

This WR-28 standard gain horn antenna has a 20 dB nominal gain and a square cover flange. Our 20 dB WR-28 horn antenna has a minimum frequency of 26.5 GHz and a maximum frequency of 40GHz.

Standard gain horn waveguide antenna OLB-28-20 has a vertical beam width of 18.3 and horizontal of 16.7 degrees at 3 dB.



Features

- Precisely Machined and Gold Plated
- Low VSWR
- Light Weight
- Linear Polarization
- Low Return Loss
- Rectangular Waveguide Interface
- Lower sidelobes and symmetrical radiation patterns

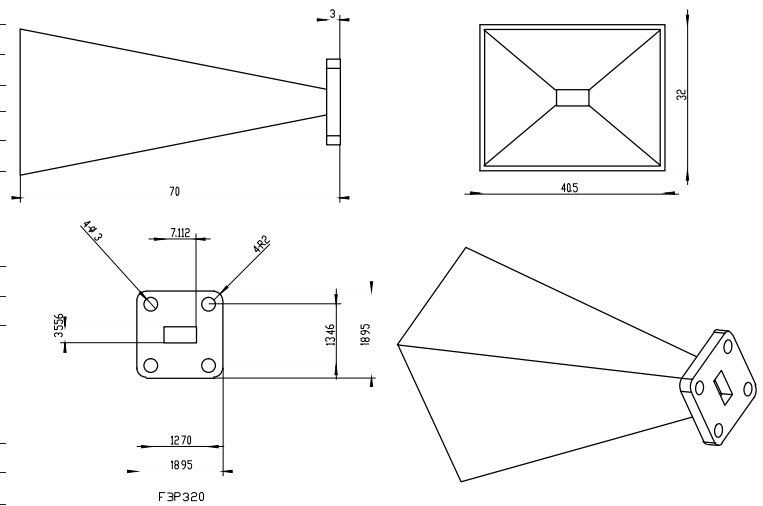
Applications

- Antenna Ranges
- Antenna Gain Measurements System Setups
- Array Elements

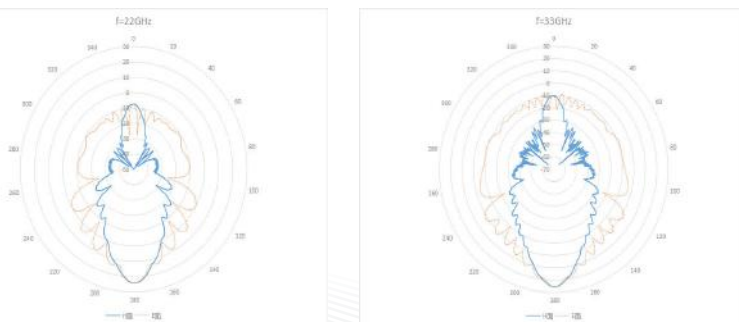
Electrical Specifications

Frequency Range(GHz)	26.5-40.0
Gain(dB)	20 Typ.
3dB Beam Width	H 18° / V 18°
Waveguide	WR28
Material	Cu
Output	FBP320
	2.92mm-F or 2.4mm-F
Size(mm) W x H x L	40.5x32x70 40.5x32x95
Net Weight(Kg)	0.05 Around 0.10 Around

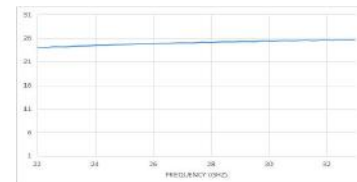
PRODUCT DIMENSIONS



AZIMUTH PATTERN



GAIN



VSWR

