

Standard Horn Antenna

OLB-22-25

Standard gain horn antenna OLB-22-25 WR-22 is also known as a waveguide horn.

This WR-22 standard gain horn antenna has a 25 dB nominal gain and a square cover flange. Our 25 dB WR-22 horn antenna has a minimum frequency of 33.0 GHz and a maximum frequency of 50.0 GHz.

Standard gain horn waveguide antenna OLB-22-25 has a vertical beam width of 10.2 and horizontal of 10.5 degrees at 3 dB.



Features

- _____ Precisely Machined and Gold Plated
- _____ Low VSWR
- _____ Light Weight
- _____ Linear Polarization
- _____ Low Return Loss
- _____ Rectangular Waveguide Interface
- _____ Lower sidelobes and symmetrical radiation patterns

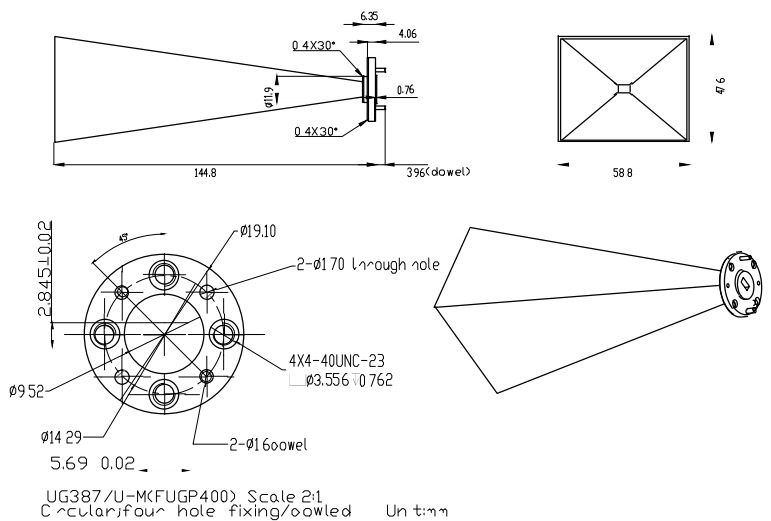
Applications

- _____ Antenna Ranges
- _____ Antenna Gain Measurements System Setups
- _____ Array Elements

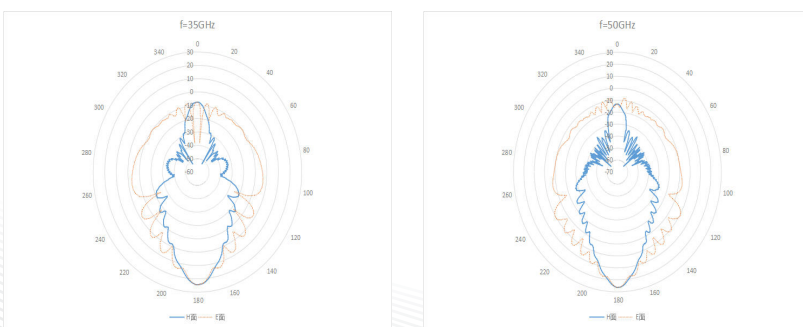
Electrical Specifications

Frequency Range(GHz)	WG output 33.0-50.0 2.4mm-F 33.0-50.0
Gain(dB)	25 Typ
3dB Beam Width	H 10° / V 10°
Waveguide	WR22
Material	Cu
Output	FUGP400 (UG-383/U) 2.4mm-F
Size(mm) W x H x L	WG output 59x46x150 2.4mm-F 59x46x175
Net Weight(Kg)	WG output 0.15 Around 2.4mm-F 0.20 Around

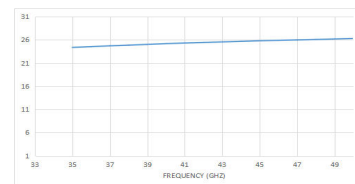
PRODUCT DIMENSIONS



AZIMUTH PATTERN



GAIN



VSWR

