

# Standard Horn Antenna

## OLB-22-20

Standard gain horn antenna OLB-22-20 WR-22 is also known as a waveguide horn.

This WR-22 standard gain horn antenna has a 20 dB nominal gain and a square cover flange. Our 20 dB WR-22 horn antenna has a minimum frequency of 33.0 GHz and a maximum frequency of 50.0GHz.

Standard gain horn waveguide antenna OLB-22-20 has a vertical beam width of 18.3 and horizontal of 16.7 degrees at 3 dB.



### Features

- \_\_\_\_\_ Precisely Machined and Gold Plated
- \_\_\_\_\_ Low VSWR
- \_\_\_\_\_ Light Weight
- \_\_\_\_\_ Linear Polarization
- \_\_\_\_\_ Low Return Loss
- \_\_\_\_\_ Rectangular Waveguide Interface
- \_\_\_\_\_ Lower sidelobes and symmetrical radiation patterns

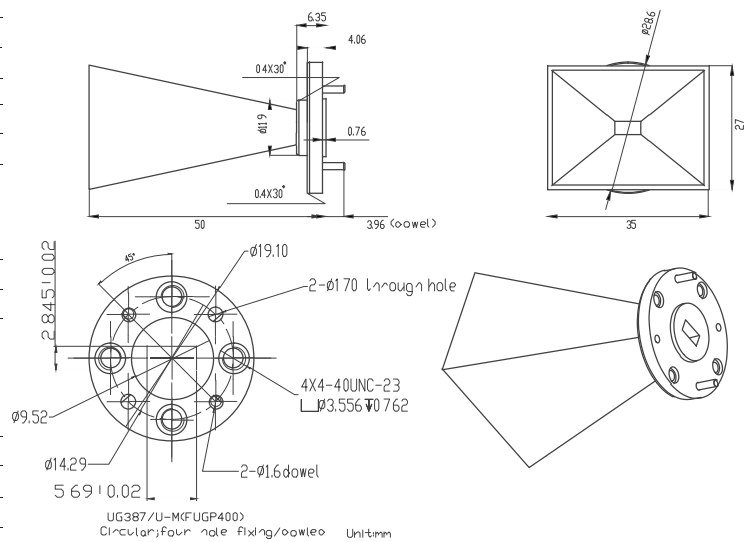
### Applications

- \_\_\_\_\_ Antenna Ranges
- \_\_\_\_\_ Antenna Gain Measurements System Setups
- \_\_\_\_\_ Array Elements

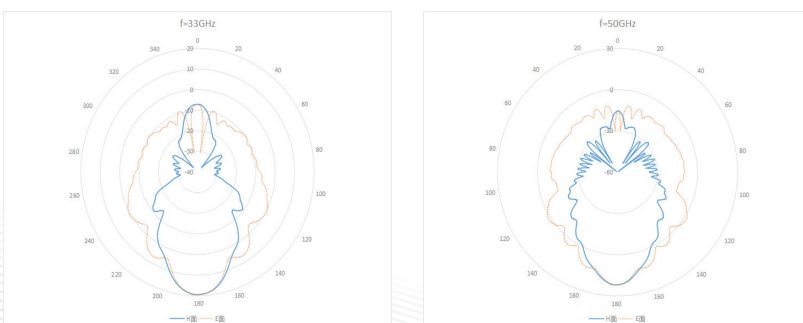
### Electrical Specifications

Frequency Range(GHz)	WG output 33.0-50.0 2.4mm-F 33.0-50.0
Gain(dB)	20 Typ
3dB Beam Width	H 18° / V 18°
Waveguide	WR22
Material	Cu
Output	FUGP400 (UG-383/U) 2.4mm-F
Size(mm) W x H x L	WG output 28.6x28.6x51.4 2.4mm-F 28.6x28.6x76.4
Net Weight(Kg)	WG output 0.06 Around 2.4mm-F 0.11 Around

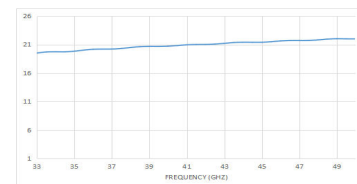
### PRODUCT DIMENSIONS



### PATTERN



### GAIN



### VSWR

