

Standard Horn Antenna

OLB-19-20

Standard gain horn antenna OLB-19-20 WR-19 is also known as a waveguide horn.

This WR-19 standard gain horn antenna has a 20 dB nominal gain and a square cover flange. Our 20 dB WR-19 horn antenna has a frequency of 40.0GHz to 50.0GHz/40.0GHz to 60.0GHz.

Standard gain horn waveguide antenna OLB-19-20 has a vertical beam width of 18.3 and horizontal of 16.7 degrees at 3 dB.



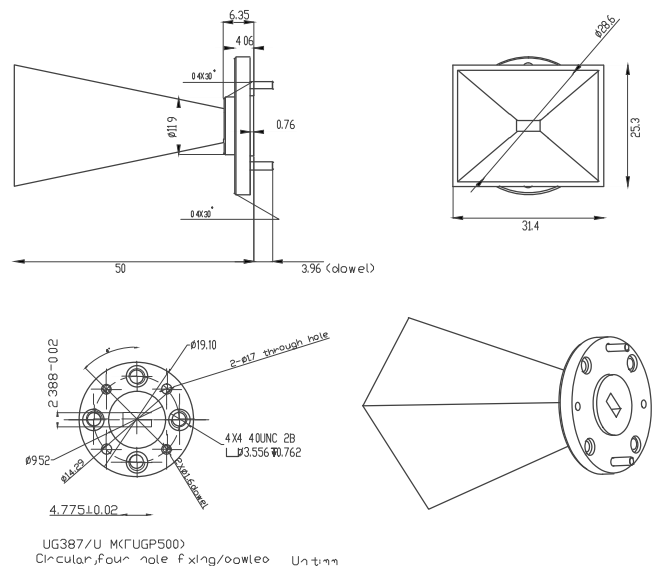
Features

- _____ Precisely Machined and Gold Plated
- _____ Low VSWR
- _____ Light Weight
- _____ Linear Polarization
- _____ Low Return Loss
- _____ Rectangular Waveguide Interface
- _____ Lower sidelobes and symmetrical radiation patterns

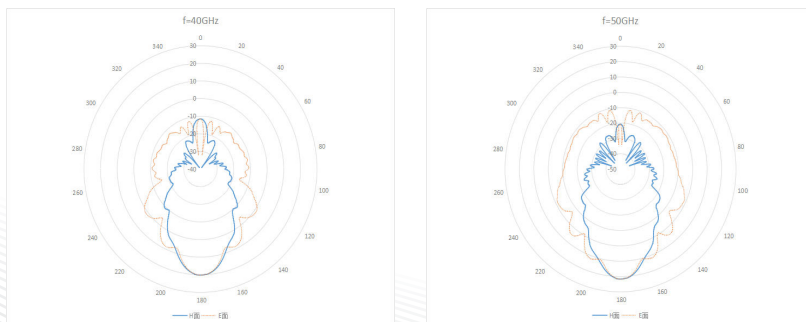
Electrical Specifications

Frequency Range(GHz)	WG output 40.0-60.0 2.4 mm-F 40.0-50.0 1.85mm-F 40.0-60.0
Gain(dB)	20 Typ
3dB Beam Width	H 18° / V 18°
Waveguide	WR19
Material	Cu
Output	FUGP500 (UG-383/U modified) 2.4mm-F or 1.85mm-F
Size(mm) W x H x L	WG output 31.4x25.3x50 2.4 mm-F 31.4x25.3x75 1.85mm-F 31.4x25.3x77
Net Weight(Kg)	WG output 0.07 Around 2.4mm-F 0.10 Around 1.85mm-F 0.10 Around

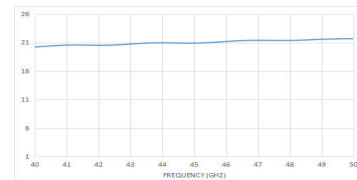
PRODUCT DIMENSIONS



PATTERN



GAIN



VSWR

