

Standard Horn Antenna

OLB-15-25

Standard gain horn antenna OLB-15-25 WR-15 is also known as a waveguide horn.

This WR-15 standard gain horn antenna has a 25 dB nominal gain and a square cover flange. Our 25 dB WR-15 horn antenna has a frequency of 50GHz to 75GHz/50GHz to 65GHz.

Standard gain horn waveguide antenna OLB-15-25 has a vertical beam width of 10.2 and horizontal of 10.5 degrees at 3 dB



Features

- _____ Precisely Machined and Gold Plated
- _____ Low VSWR
- _____ Light Weight
- _____ Linear Polarization
- _____ Low Return Loss
- _____ Rectangular Waveguide Interface
- _____ Lower sidelobes and symmetrical radiation patterns

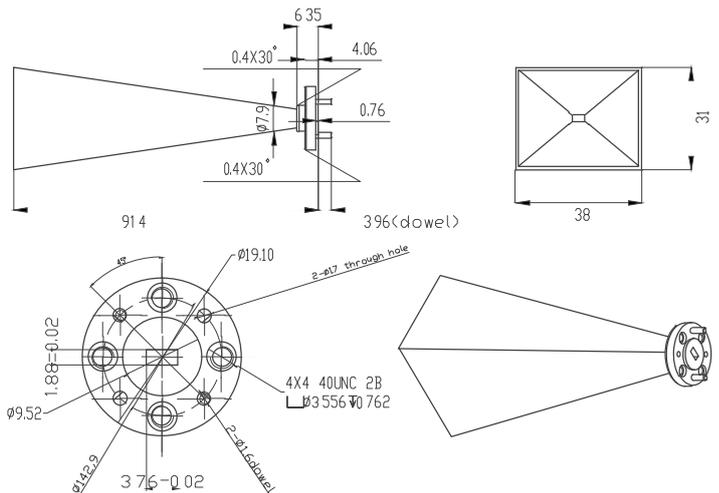
Applications

- _____ Antenna Ranges
- _____ Antenna Gain Measurements System Setups
- _____ Array Elements

Electrical Specifications

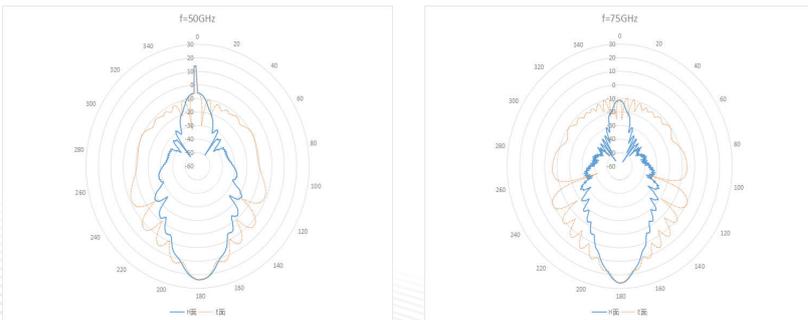
Frequency Range(GHz)	WG output 50.0-75.0 1.85mm-F 50.0-65.0
Gain(dB)	25 Typ
3dB Beam Width	H 10° / V 10°
Waveguide	WR15
Material	Cu
Output	FUGP620 (UG-385/U modified) 1.85mm-F
Size(mm) W x H x L	WG output 38x31x91.4 1.85mm-F 38x32.6x118.4
Net Weight(Kg)	WG output 0.07 Around 1.85mm-F 0.10 Around

PRODUCT DIMENSIONS

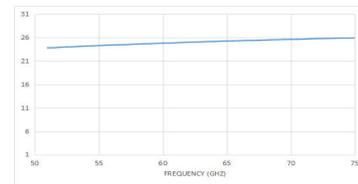


UG387/U-MKFUGP620 Scale 3:1
Circular, four hole fixing/dowled Unit:mm

AZIMUTH PATTERN



GAIN



VSWR

