

# Standard Horn Antenna

## OLB-15-20

Standard gain horn antenna OLB-15-20 WR-15 is also known as a waveguide horn.

This WR-20 standard gain horn antenna has a 20 dB nominal gain and a square cover flange. Our 15 dB WR-15 horn antenna has a frequency of 50GHz to 75GHz/50GHz to 65GHz

Standard gain horn waveguide antenna OLB-15-20 has a vertical beam width of 31.3 and horizontal of 32.1 degrees at 3 dB.



### Features

- \_\_\_\_\_ Precisely Machined and Gold Plated
- \_\_\_\_\_ Low VSWR
- \_\_\_\_\_ Light Weight
- \_\_\_\_\_ Linear Polarization
- \_\_\_\_\_ Low Return Loss
- \_\_\_\_\_ Rectangular Waveguide Interface
- \_\_\_\_\_ Lower sidelobes and symmetrical radiation patterns

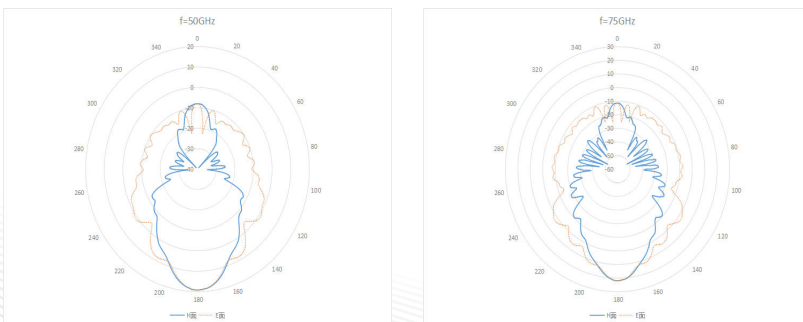
### Applications

- \_\_\_\_\_ Antenna Ranges
- \_\_\_\_\_ Antenna Gain Measurements System Setups
- \_\_\_\_\_ Array Elements

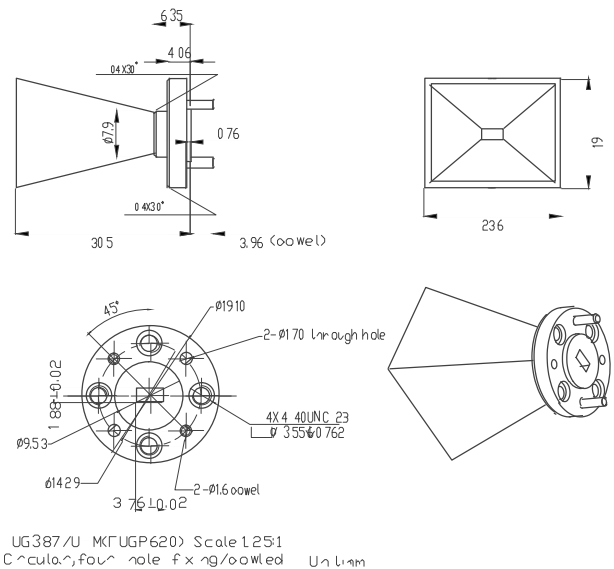
### Electrical Specifications

Frequency Range(GHz)	WG output 50.0-75.0 1.85mm-F 50.0-65.0
Gain(dB)	20 Typ.
3dB Beam Width	H 18° / V 18°
Waveguide	WR20
Material	Cu
Output	FUGP620 (UG-385/U modified) 1.85mm-F
Size(mm) W x H x L	WG output 23x19.1x36.4 1.85mm-F 23x26.7x63.4
Net Weight(Kg)	WG output 0.03 Around 1.85mm-F 0.06 Around

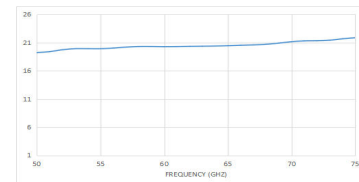
### AZIMUTH PATTERN



### PRODUCT DIMENSIONS



### GAIN



### VSWR

