

# Standard Horn Antenna

## OLB-12-25

Standard gain horn antenna OLB-12-25 WR-12 is also known as a waveguide horn.

This WR-12 standard gain horn antenna has a 25 dB nominal gain and a square cover flange. Our 25 dB WR-12 horn antenna has a minimum frequency of 60 GHz and a maximum frequency of 90GHz.

Standard gain horn waveguide antenna OLB-12-25 has a vertical beam width of 10.2 and horizontal of 10.5 degrees at 3 dB.



### Features

- \_\_\_\_\_ Precisely Machined and Gold Plated
- \_\_\_\_\_ Low VSWR
- \_\_\_\_\_ Light Weight
- \_\_\_\_\_ Linear Polarization
- \_\_\_\_\_ Low Return Loss
- \_\_\_\_\_ Rectangular Waveguide Interface
- \_\_\_\_\_ Lower sidelobes and symmetrical radiation patterns

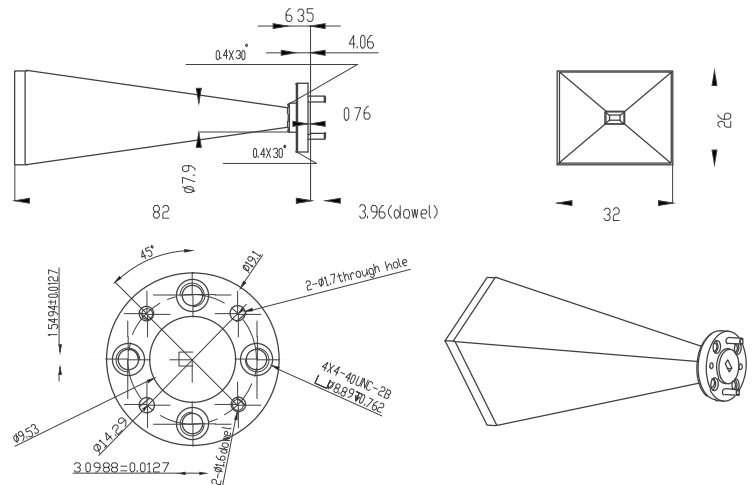
### Applications

- \_\_\_\_\_ Antenna Ranges
- \_\_\_\_\_ Antenna Gain Measurements System Setups
- \_\_\_\_\_ Array Elements

### Electrical Specifications

Frequency Range(GHz)	60.0-90.0
Gain(dBi)	25 Typ.
3dB Beam Width	H 10° / V 10°
Waveguide	WR12
Material	Cu
Output	FUGP740 (UG-387/U)
Size(mm) W x H x L	32x26x82
Net Weight(Kg)	0.05 Around

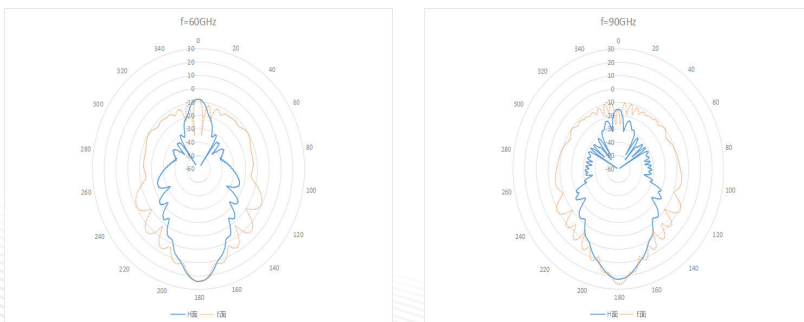
### PRODUCT DIMENSIONS



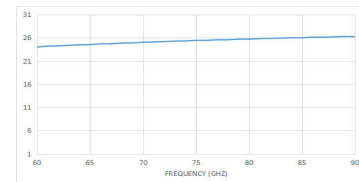
UG387/U-MCFUGP740 Scale 3:1  
Circular, four hole fixing/dowled

Unit:mm

### PATTERN



### GAIN



### VSWR

