

Standard Horn Antenna

OLB-12-20

Standard gain horn antenna OLB-12-20 WR-12 is also known as a waveguide horn.

This WR-12 standard gain horn antenna has a 20 dB nominal gain and a square cover flange. Our 20 dB WR-12 horn antenna has a minimum frequency of 60 GHz and a maximum frequency of 90GHz.

Standard gain horn waveguide antenna OLB-12-20 has a vertical beam width of 18.3 and horizontal of 16.7 degrees at 3 dB.



Features

- _____ Precisely Machined and Gold Plated
- _____ Low VSWR
- _____ Light Weight
- _____ Linear Polarization
- _____ Low Return Loss
- _____ Rectangular Waveguide Interface
- _____ Lower sidelobes and symmetrical radiation patterns

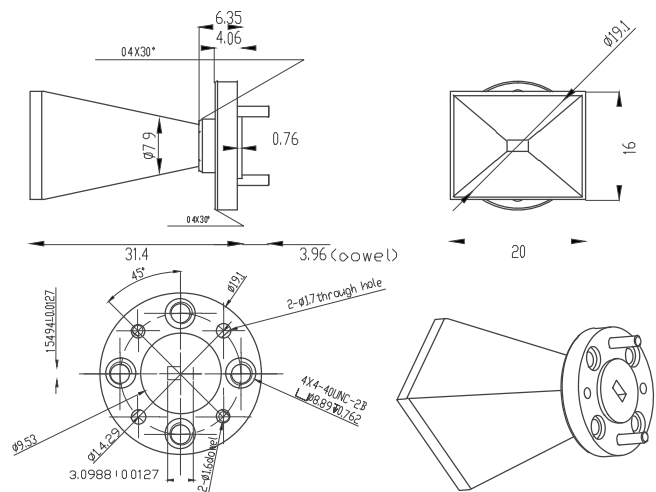
Applications

- _____ Antenna Ranges
- _____ Antenna Gain Measurements System Setups
- _____ Array Elements

Electrical Specifications

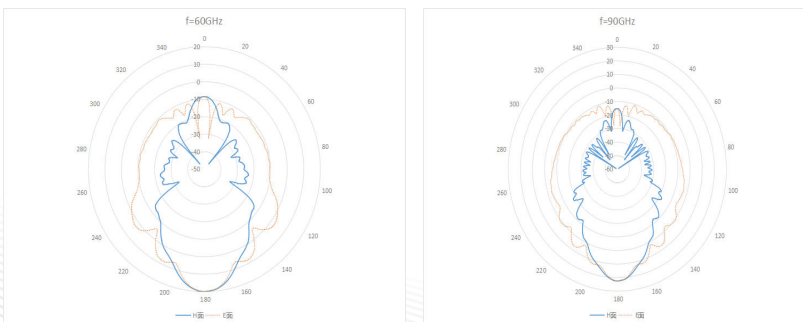
Frequency Range(GHz)	60.0-90.0
Gain(dB)	20 Typ.
3dB Beam Width	H 10° / V 10°
Waveguide	WR12
Material	Cu
Output	FUGP740
Size(mm) W x H x L	20x16x31.4
Net Weight(Kg)	0.02 Around

PRODUCT DIMENSIONS

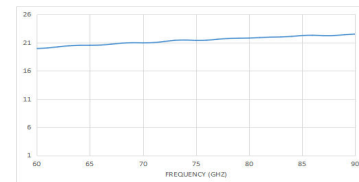


UG387/U-MKFUGP740 Scale 1:25:1
Circular four hole fixing/dowled Unit:mm

PATTERN



GAIN



VSWR

