

Standard Horn Antenna

OLB-12-15

Standard gain horn antenna OLB-12-15 WR-12 is also known as a waveguide horn.

This WR-12 standard gain horn antenna has a 15 dB nominal gain and a square cover flange. Our 15 dB WR-15 horn antenna has a minimum frequency of 60 GHz and a maximum frequency of 90GHz.

Standard gain horn waveguide antenna OLB-12-15 has a vertical beam width of 31.3 and horizontal of 32.1degrees at 3 dB.



Features

- _____ Precisely Machined and Gold Plated
- _____ Low VSWR
- _____ Light Weight
- _____ Linear Polarization
- _____ Low Return Loss
- _____ Rectangular Waveguide Interface
- _____ Lower sidelobes and symmetrical radiation patterns

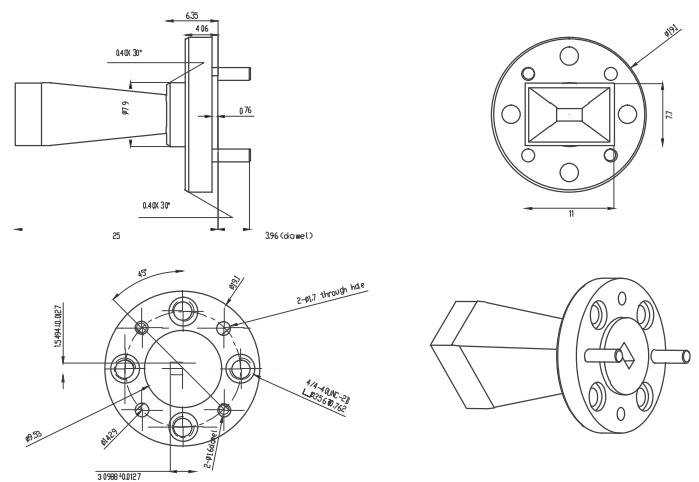
Applications

- _____ Antenna Ranges
- _____ Antenna Gain Measurements System Setups
- _____ Array Elements

Electrical Specifications

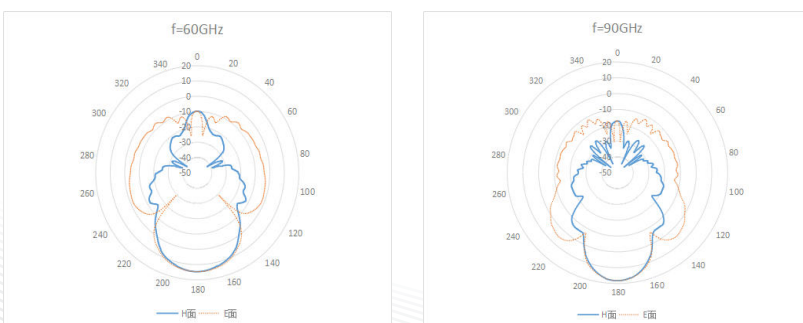
Frequency Range(GHz)	60.0-90.0
Gain(dB)	15 Typ.
3dB Beam Width	H 30° / V 30°
Waveguide	WR12
Material	Cu
Output	FUGP740
Size(mm) W x H x L	11x7.7x25
Net Weight(Kg)	0.01 Around

PRODUCT DIMENSIONS

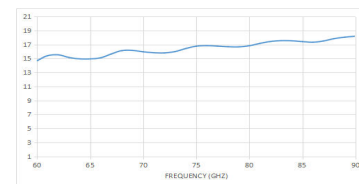


UG387/U M(FUGP740)
Circular four hole flange/cover Unit:mm

PATTERN



GAIN



VSWR

