

Standard Horn Antenna

OLB-10-20

Standard gain horn antenna OLB-10-20 WR-10 is also known as a waveguide horn.

This WR-10 standard gain horn antenna has a 20 dB nominal gain and a square cover flange. Our 20 dB WR-10 horn antenna has a minimum frequency of 75 GHz and a maximum frequency of 110GHz.

Standard gain horn waveguide antenna OLB-10-20 has a vertical beam width of 18.3 and horizontal of 16.7 degrees at 3 dB.



Features

- _____ Precisely Machined and Gold Plated
- _____ Low VSWR
- _____ Light Weight
- _____ Linear Polarization
- _____ Low Return Loss
- _____ Rectangular Waveguide Interface
- _____ Lower sidelobes and symmetrical radiation patterns

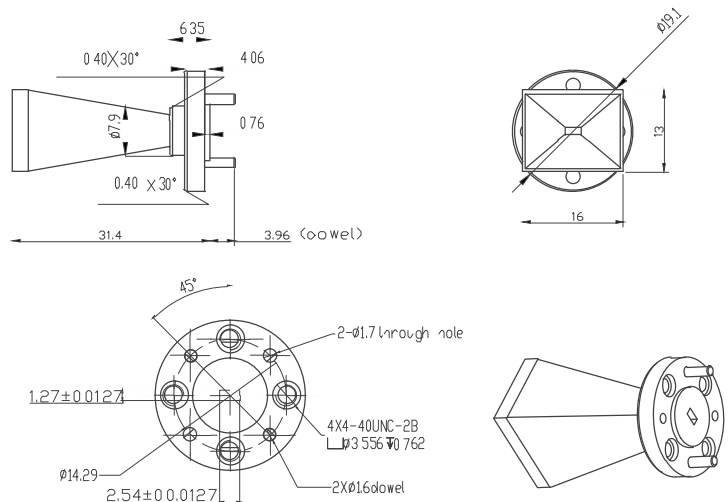
Applications

- _____ Antenna Ranges
- _____ Antenna Gain Measurements System Setups
- _____ Array Elements

Electrical Specifications

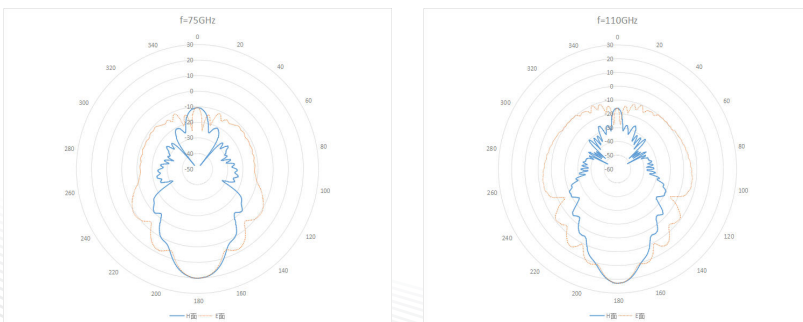
Frequency Range(GHz)	75.0 - 110.0
Gain(dB)	20 Typ.
3dB Beam Width	H 18° / V 18°
Waveguide	WR10
Material	Cu
Output	FUGP900
Size(mm) W x H x L	16x13x31.4
Net Weight(Kg)	0.02 Around

PRODUCT DIMENSIONS

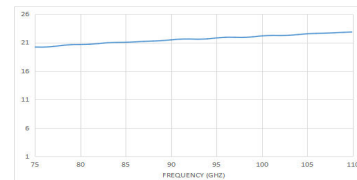


UG387/U-M(FUGP900) SCALE 1.25:1
Circular four hole flange coverlet Unit:mm

PATTERN



GAIN



VSWR

