

Standard Horn Antenna

OLB-8-25

Standard gain horn antenna OLB-8-25 WR-8 is also known as a waveguide horn.

This WR-8 standard gain horn antenna has a 25 dB nominal gain and a square cover flange. Our 25 dB WR-10 horn antenna has a minimum frequency of 90GHz and a maximum frequency of 140GHz.

Standard gain horn waveguide antenna OLB-8-25 has a vertical beam width of 10.2 and horizontal of 10.5 degrees at 3 dB.



Features

- _____ Precisely Machined and Gold Plated
- _____ Low VSWR
- _____ Light Weight
- _____ Linear Polarization
- _____ Low Return Loss
- _____ Rectangular Waveguide Interface
- _____ Lower sidelobes and symmetrical radiation patterns

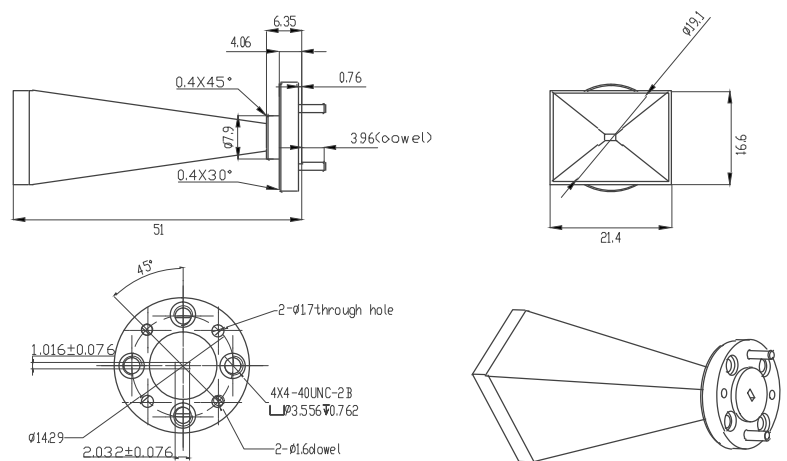
Applications

- _____ Antenna Ranges
- _____ Antenna Gain Measurements
- _____ System Setups
- _____ Array Elements

Electrical Specifications

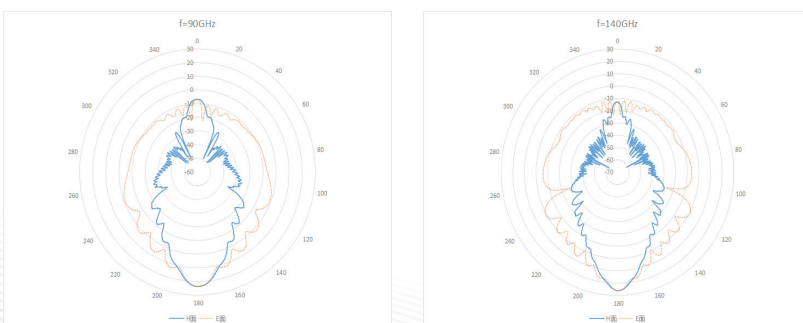
Frequency Range(GHz)	90.0 - 140.0
Gain(dB)	25 Typ
3dB Beam Width	H 10° / V 10°
Waveguide	WR8
Material	Cu
Output	UG387/U-M WR8
Size(mm) W x H xL	21.4x16.6x51.0
Net Weight(Kg)	0.03 Around

PRODUCT DIMENSIONS

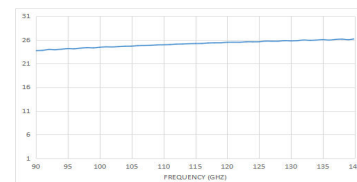


UG387/U-M SCALE:1.25:1
Circular;Four hole fixing/dowel Unit:mm

PATTERN



GAIN



VSWR

